

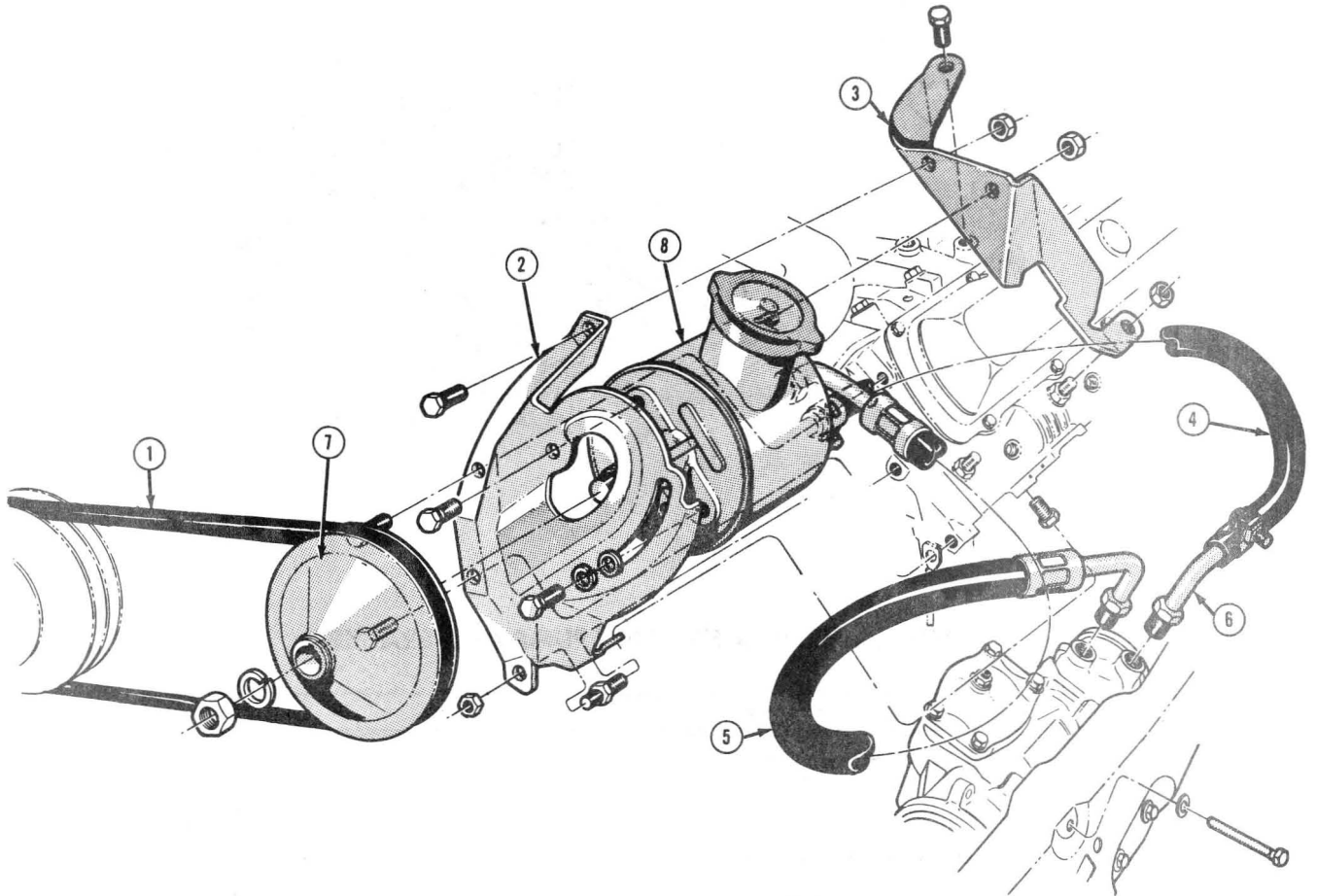
GROUP 6.000 FRONT AXLE— STEERING

ILLUSTRATION	PAGE
POWER STEERING OIL PUMP	1 - 9
STEERING CONTROL LINKAGE	10 - 11
STEERING GEARS	13 - 14
POWER STEERING OIL PUMP	15
STEERING COLUMN MOUNTING DETAILS	16 - 17
STEERING COLUMN DRESS	18
FRONT SUSPENSION	19 - 23
STEERING COLUMN	24 - 39



Notes

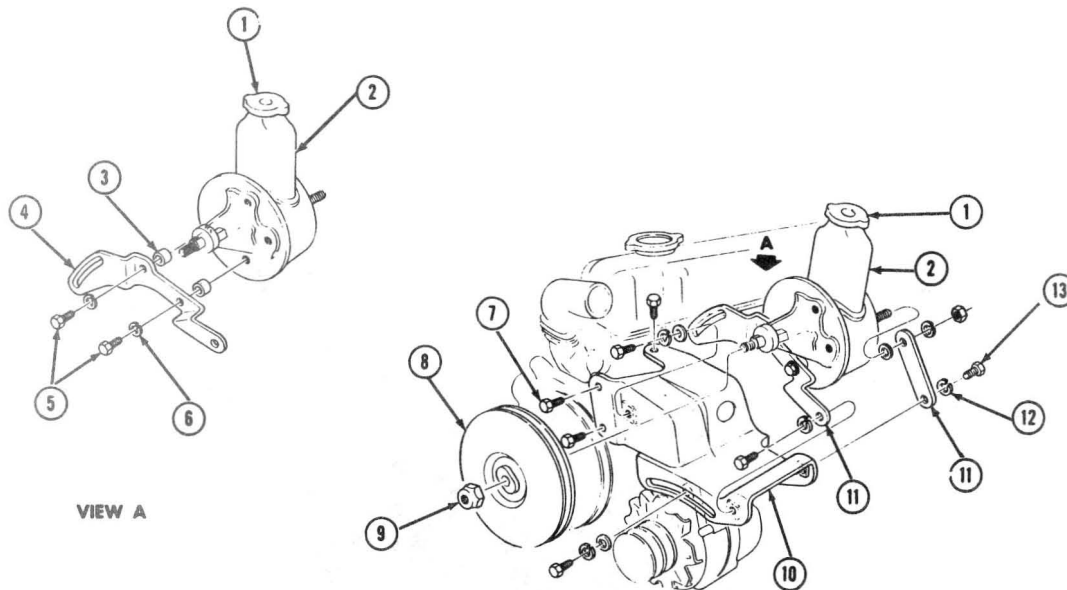
A series of horizontal lines providing space for handwritten notes.



**POWER STEERING OIL PUMP INSTALLATION
 1964-67**

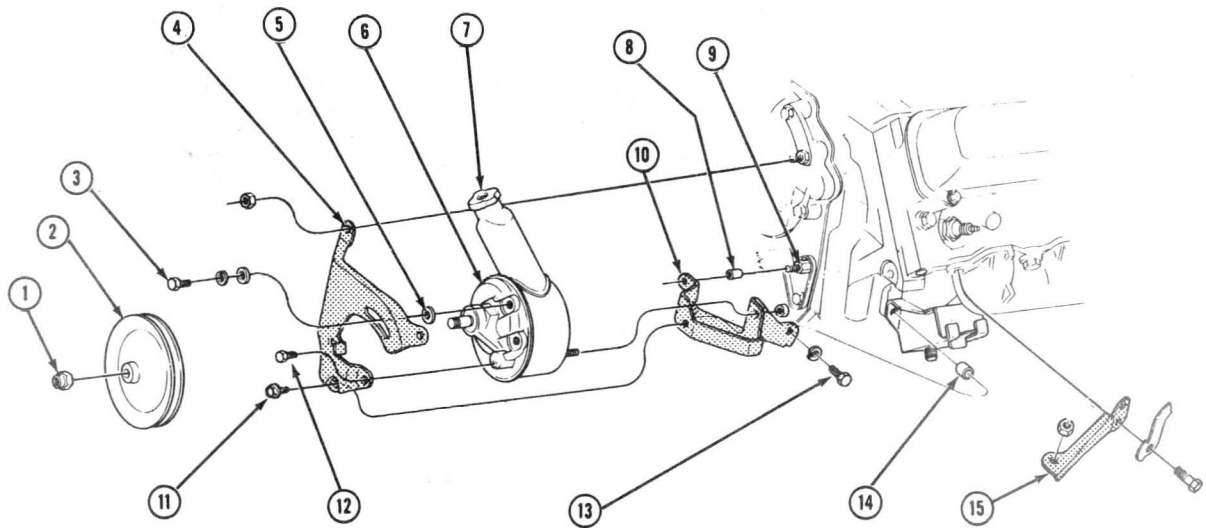
Key	Description	Group
1	Belt, power steering oil pump	1.066
2	Bracket, steering pump mounting—front	6.606
3	Bracket, steering pump mounting—rear	6.606
4	Hose, hydraulic steering and oil cooler	6.671

Key	Description	Group
5	Hose, pressure line	6.670
6	Pipe, power steering return hose	6.671
7	Pulley, power steering oil pump	6.655
8	Pump, steering gear oil	6.605



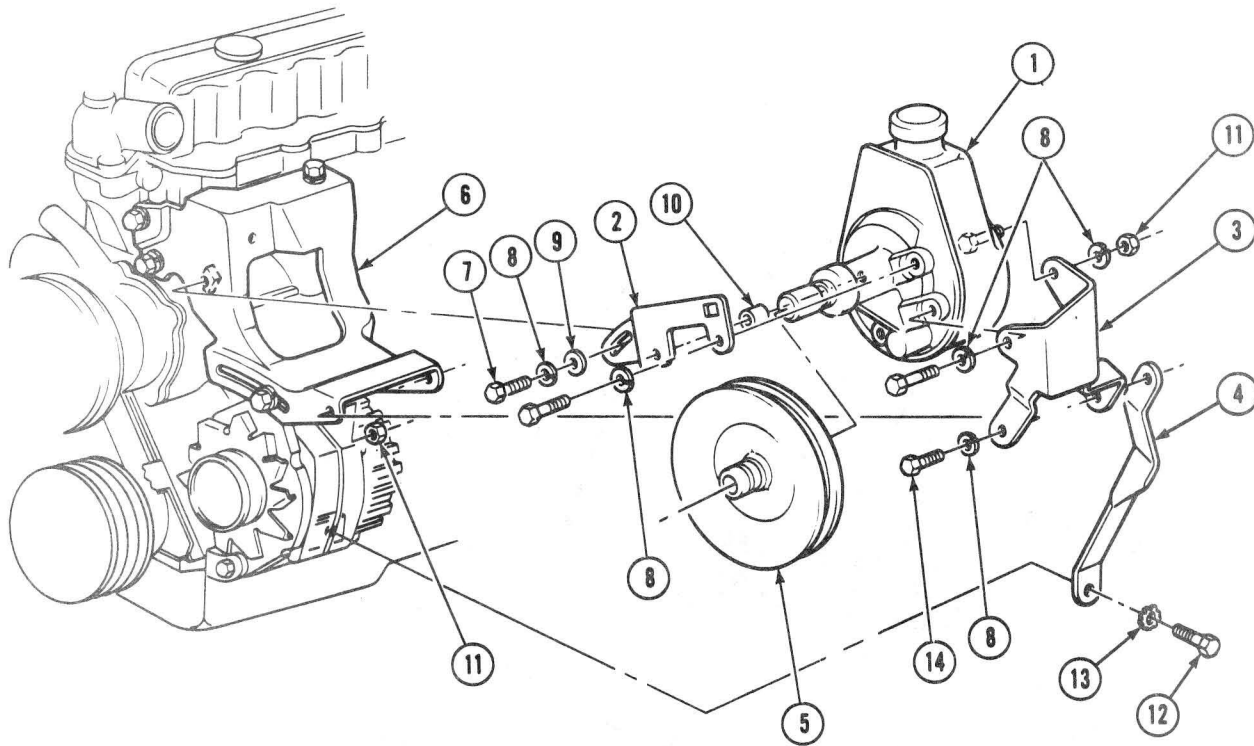
1971 L-6 POWER STEERING PUMP AND BRACKETS

Key	Description	Group
1	Cap, Power Steering Gear Oil Pump Reservoir	6.635
2	Pump, Power Steering Gear Oil	6.605
3	Washer, Power Steering Link To Pump	6.606
4	Link, Power Steering Pump Adjusting	6.606
5	Bolt — $\frac{9}{16}$ - 16 x $1\frac{1}{8}$	8.900
6	Washer, Power Steering Pump Adjusting Link Bolt	8.931
7	Bolt — $\frac{9}{16}$ - 16 x $\frac{7}{8}$	8.900
8	Pulley, Power Steering Oil Pump	6.655
9	Nut, Hydraulic Steering Pump Pulley	6.655
10	Bracket, Hydraulic Steering Pump	6.606
11	Support, Hydraulic Steering Pump	6.606
12	Washer, Steering Pump Support	8.931
13	Bolt — $\frac{9}{16}$ - 16 x $\frac{3}{4}$	8.900



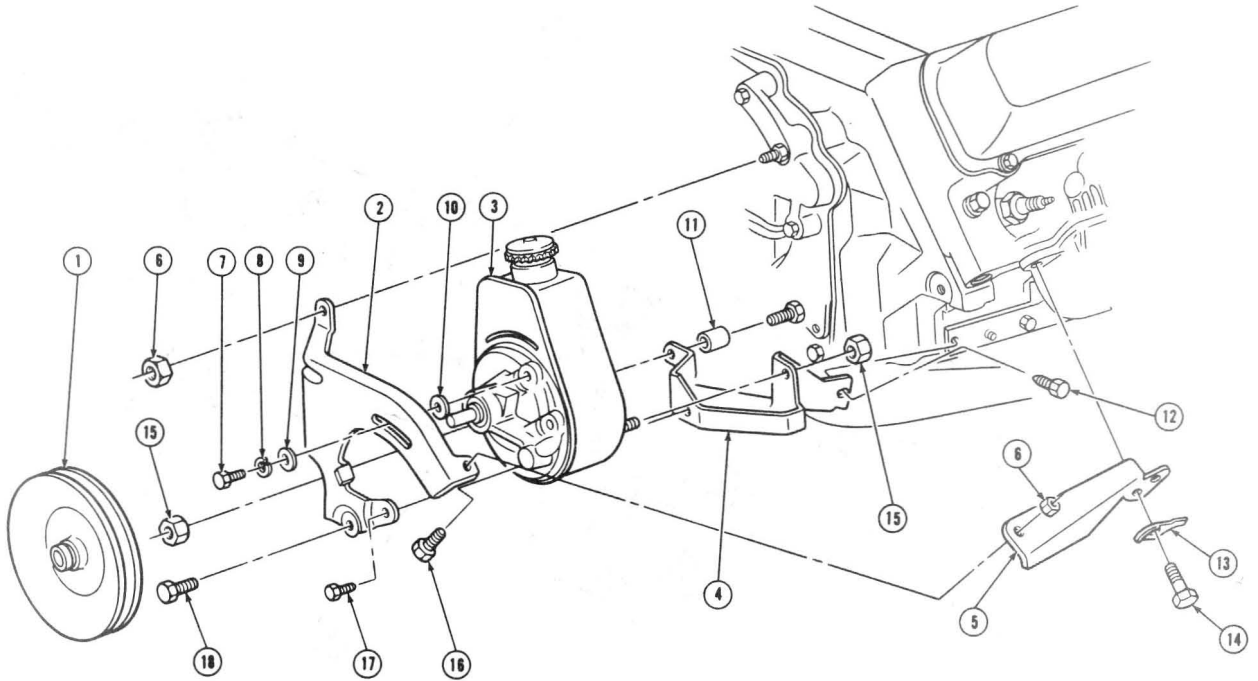
**1968 V8 POWER STRG. OIL PUMP MTG. DETAILS
(TYPICAL OF 1969 THRU 1970)**

Key	Description	Group
1	Nut, Hydraulic Steering Pump Pulley	6.655
2	Pulley, Power Steering Oil Pump	6.655
3	Bolt — 3/8 - 16 x 1	8.900
4	Link, Power Steering Pump Adjusting	6.606
5	Washer, Power Steering Link To Pump	6.606
6	Pump, Power Steering Gear Oil	6.605
7	Cap, Power Steering Gear Oil Pump Reservoir	6.635
8	Spacer, Power Steering Bracket	6.606
9	Bolt, Crankcase Front End Cover To Block	0.206
10	Bracket, Hydraulic Steering Pump	6.606
11	Screw — 5/16 - 18 x 3/8	8.977
12	Bolt — 3/8 - 16 x 3/8	8.900
13	Bolt — 7/16 - 14 x 1 1/2	8.900
14	Spacer, Power Steering Bracket	6.606
15	Brace, Hydraulic Steering Pump	6.606



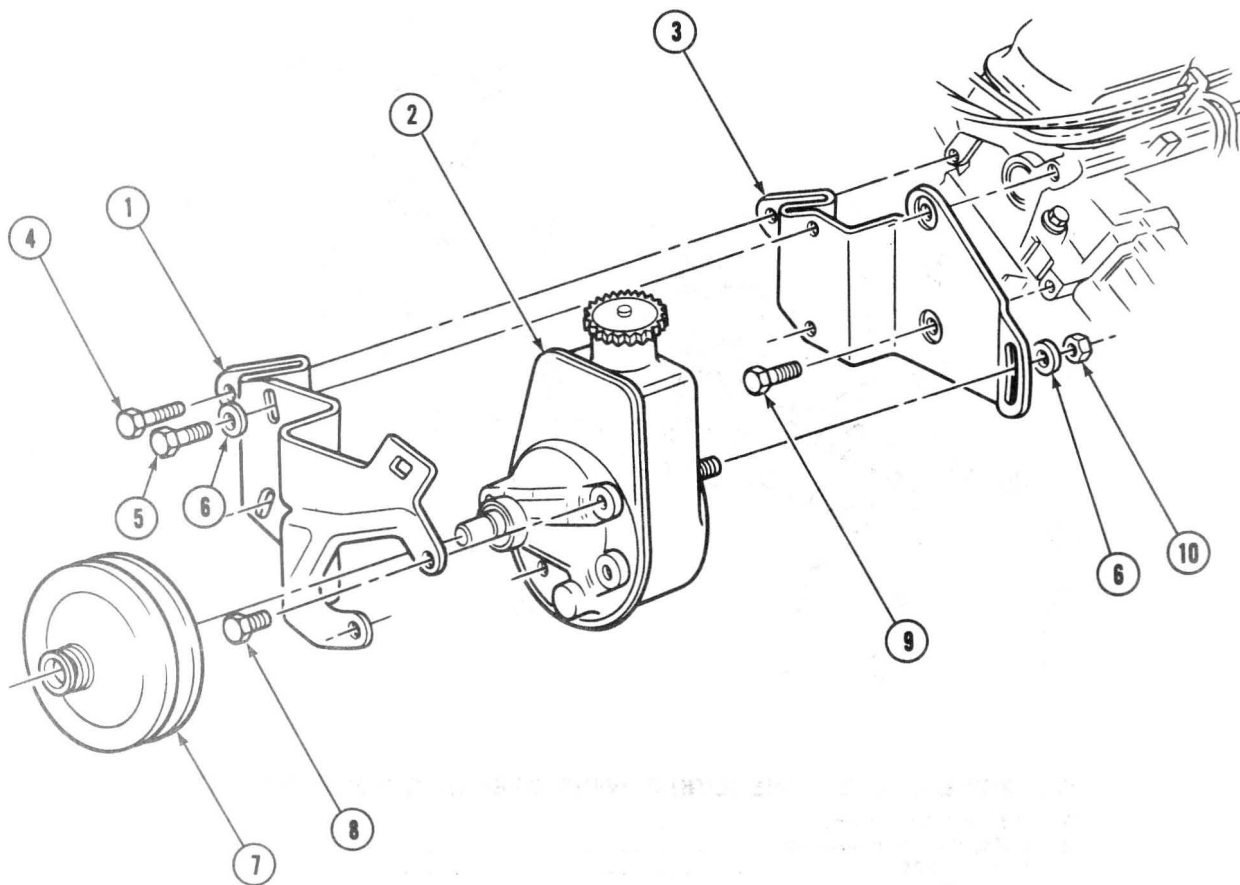
**1976 6 CYL. ENG. POWER STEERING PUMP MOUNTING—WITH A.C. EXC.
 A.I.R.**

1. PUMP ASM., Power Steering	6.605
2. SUPPORT, Pump-Front	6.606
3. SUPPORT, Pump-Lower	6.606
4. BRACE, Pump	6.606
5. PULLEY, Steering Pump	6.655
6. BRACKET ASM., Alternator & Pump Mtg.	6.606
7. BOLT, Supt. to Brkt. ($\frac{3}{8}$ "—16 x $\frac{7}{8}$ ")	8.900
8. LOCKWASHER, Supt. to Brkt. ($\frac{3}{8}$ ")	8.931
9. WASHER, Supt. to Brkt. ($\frac{13}{32}$ " I.D. x $\frac{3}{4}$ " O.D.)	8.929
10. SPACER, Supt. to Pump	6.606
11. NUT, Pump to Supt. ($\frac{3}{8}$ "—16)	8.915
12. BOLT, Brace to Alt. Brkt. ($\frac{3}{8}$ "—16 x $1\frac{1}{2}$ ")	8.900
13. LOCKWASHER, Brace to Alt. Brkt. ($\frac{3}{8}$ " Ext.)	8.932
14. BOLT, Supt. to Brkt. ($\frac{3}{8}$ "—16 x $1\frac{1}{4}$ ")	8.900



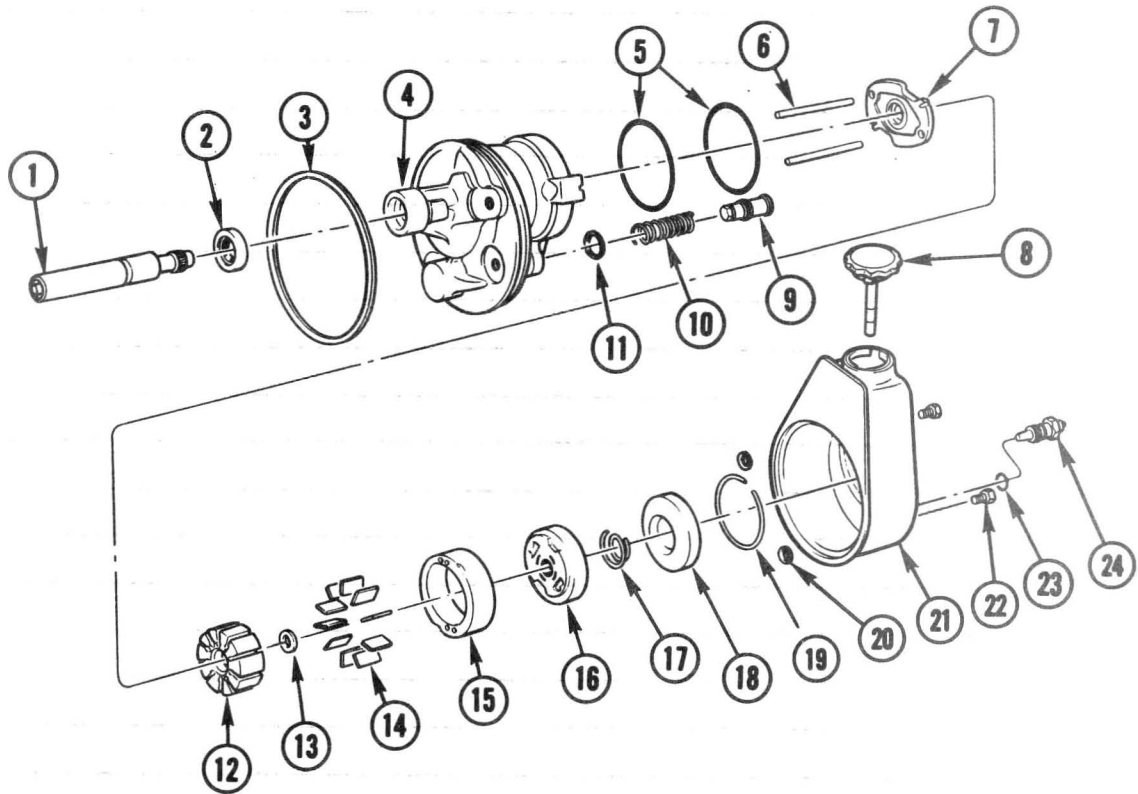
1976 260 8 CYL. ENGINE (LV8) POWER STEERING PUMP MOUNTING

1. PULLEY, Strg. Pump	6.655
2. LINK, Strg. Pump-Adjust	6.606
3. PUMP ASM.	6.605
4. BRACKET, Pump-Rear	6.606
5. BRACE, Strg. Pump	6.606
6. NUT, Adj. Link to Upr. Frt. Cover-(⁹ / ₁₆ "-18)	8.915
7. BOLT, Adj. Link to Pump (⁹ / ₈ "-16 x 1")	8.900
8. LOCKWASHER, Link to Pump (² / ₈ "	8.931
9. WASHER, Link to Pump-Inner (² / ₈ " Thk.)	8.929
10. WASHER, Link to Pump-Outer (² / ₈ "	8.928
11. SPACER, Pump Brkt.-Front	6.606
12. BOLT, Eng. Mt. Supt. to Eng. (⁷ / ₁₆ "-14 x 1 ¹ / ₄ ")	8.900
13. LOCK, EFE Valve to Exh. Manif. Bolt	4.658
14. BOLT, Exh. Manif. to Cyl. Hd. (⁹ / ₈ "-16 x 1 ³ / ₈ ")	8.900
15. NUT, Brkt. to Pump (² / ₈ "-16)	8.915
16. BOLT, Link to Brace (⁹ / ₁₆ "-18 x 1")	8.900
17. BOLT, Adj. Link to Pump (⁹ / ₈ "-16 x ⁵ / ₈ ")	8.900
18. BOLT, Adj. Link to Brkt. (⁹ / ₁₆ "-18 x ⁵ / ₈ ")	8.900



1976 350 ENGINE (L32-L34-L77) POWER STEERING PUMP MOUNTING

1. BRACKET, Pump Mounting-Front	6.606
2. PUMP ASM., Steering	6.605
3. BRACKET, Pump Mounting-Rear	6.606
4. BOLT, Adj. Link to Pump (2/8" - 16 x 1")	8.900
5. BOLT, Brkt. to Rear Brkt. (2/8" - 16 x 7/8")	8.900
6. WASHER, Brkt. to Rear Brkt.	6.606
7. PULLEY, Pump	6.655
8. BOLT, Frt. Brkt. to P.S. Pump (2/8" - 16 x 9/8")	8.900
9. BOLT, Rear Brkt. to Cyl. Hd. (2/8" - 16 x 3/4")	8.900
10. NUT, Brkt. to Pump (2/8" - 16 Hex.)	8.915



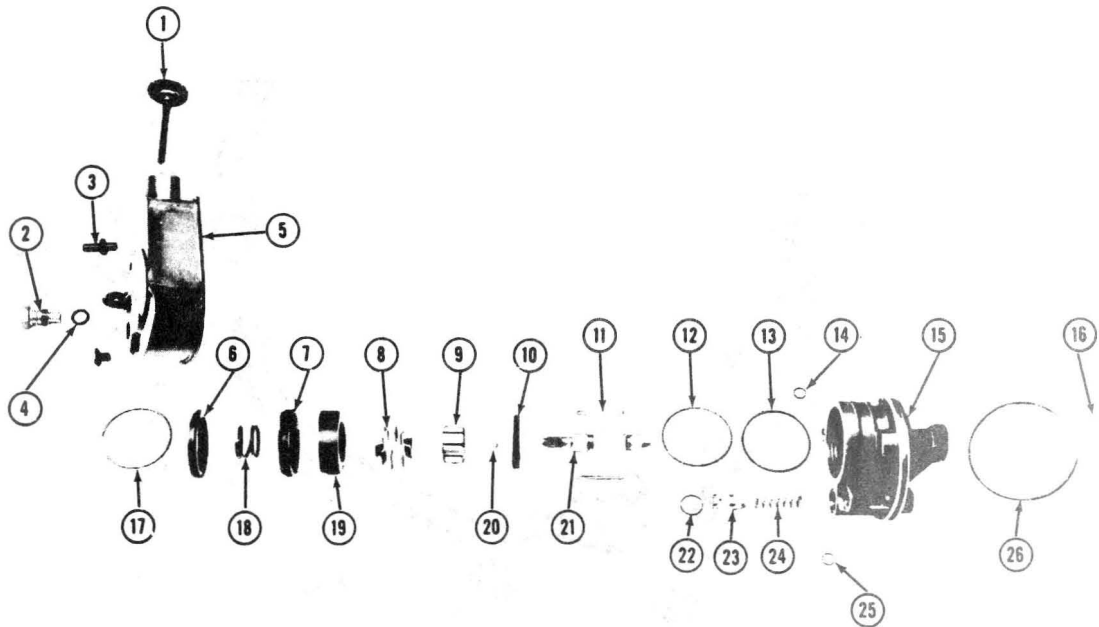
1976 POWER STEERING PUMP

Key	Description	Group
1.	SHAFT,Steering Oil Pump Drive	6.614
2.	SEAL,Steering Oil Pump Shaft	6.617
3.	SEAL,Reservoir O-Ring	6.635
4.	HOUSING ASM.,Steering Oil Pump	6.608
5.	SEAL,Pump End & Pressure Plate O-Ring	6.609
6.	PIN,Pump Ring Dowel	6.608
7.	PLATE,Thrust	6.612
8.	CAP,Filler	6.635
9.	VALVE ASM.,Flow Control	6.624
10.	SPRING,Flow Control	6.612
11.	SEAL,Union to Pump Hsg. O-Ring	6.674
12.	ROTOR,Pump	6.610
13.	RING,Shaft Retainer	6.616
14.	VANE KIT,Rotor	6.610
15.	RING,Pump Rotor	6.611
16.	PLATE,Pressure	6.612
17.	SPRING,Pressure Plate	6.612
18.	PLATE,Pump Hsg. End	6.609
19.	RING,End Plate Retaining	6.609
20.	SEAL,Reservoir	6.635
21.	RESERVOIR ASM.,Steering Oil Pump	6.635
22.	BOLT(3/8"-16 x 3/4")	8.900
23.	SEAL,Fitting	6.674
24.	FITTING,w/Orifice	6.673



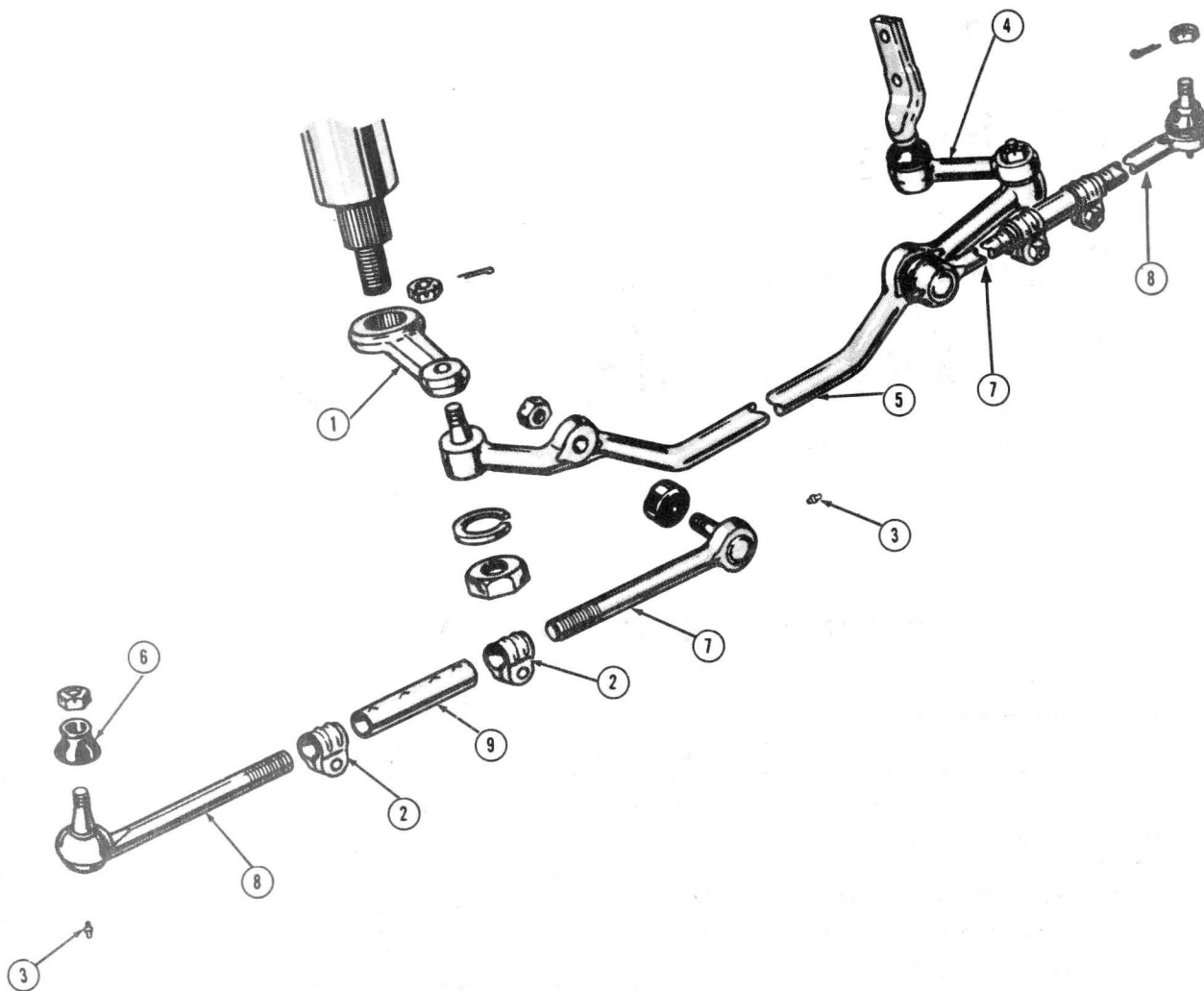
NOTES

A series of horizontal lines for taking notes, starting from the top of the page and extending to the bottom.



**1971-72 POWER STEERING PUMP DETAILS
(TYPICAL - 1973)**

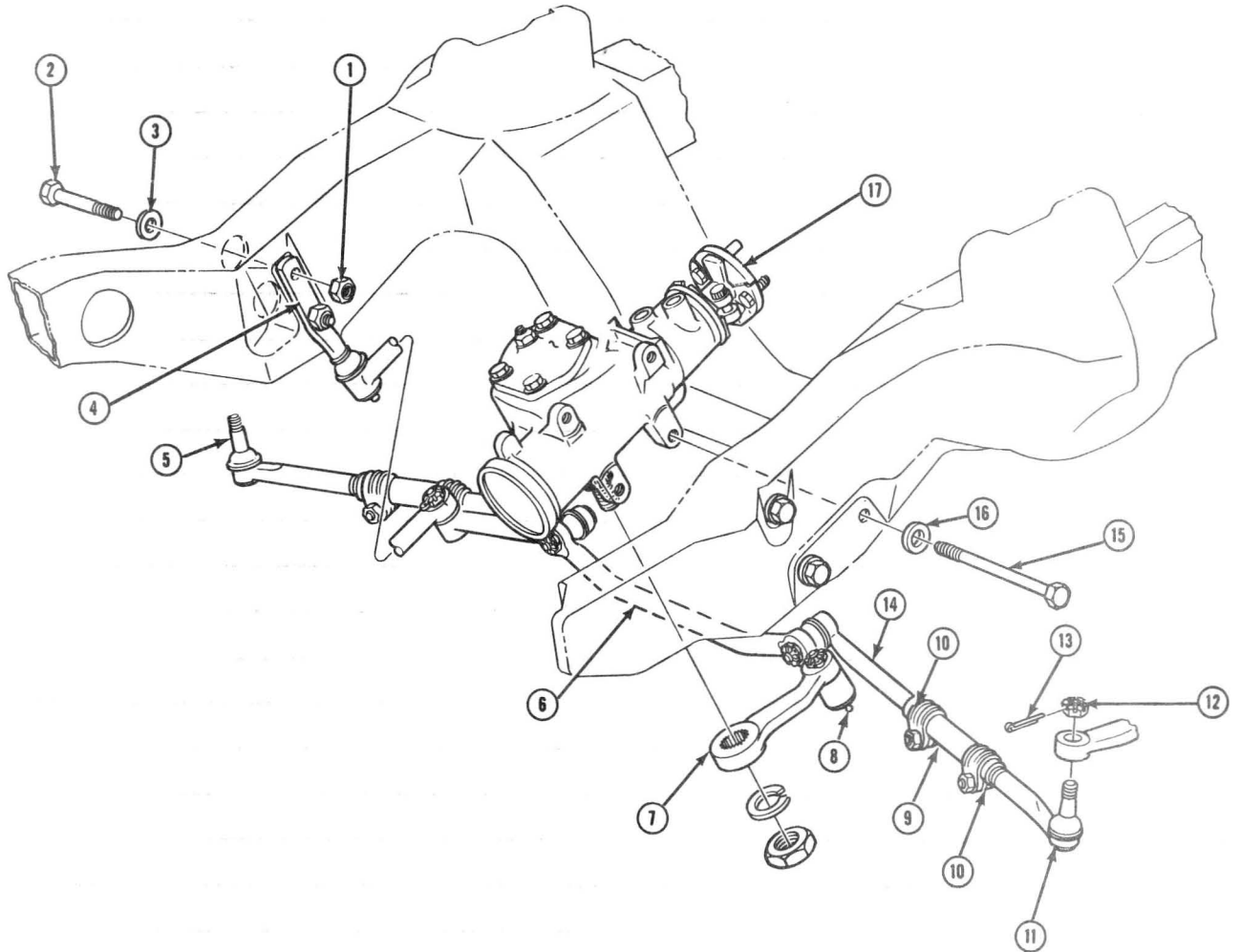
Key	Description	Group	Key	Description	Group
1	CAP, Power Steering Pump Reservoir	6.635	15	HOUSING, Power Steering Pump	6.608
2	FITTING AND ORIFICE, Steering Gear Oil Pump Outlet	6.673	16	KEY, Power Steering Pulley to Shaft	8.960
3	STUD, Power Steering Pump Mounting	6.606	17	RING, Power Steering Pump End Plate Retaining	6.609
4	SEAL, Power Steering Pump Reservoir Bolt	6.635	18	SPRING, Power Steering Pump Pressure Plate	6.612
5	RESERVOIR, Power Steering Pump	6.635	19	RING, Power Steering Gear Oil Pump Rotor	6.611
6	PLATE, Power Steering Pump	6.612	20	RING, Power Steering Pump Shaft Retaining	6.616
7	PLATE, Power Steering Pump	6.612	21	SHAFT AND CLIP UNIT, Power Steering Pump Drive	6.614
8	VANE KIT, Power Steering Pump Rotor	6.610	22	SEAL, Power Steering Pump Drive Shaft	6.617
9	ROTOR, Power Steering Gear Oil Pump	6.610	23	VALVE, Power Steering Valve Control	6.624
10	PLATE, Power Steering Pump	6.612	24	SPRING, Power Steering Pump Flow Control	6.612
11	PIN, Power Steering Pump Dowel	6.608	25	SEAL, Power Steering Gear Oil Pump Outlet Fitting	6.674
12	SEAL, Steering Pump End Plate	6.609	26	SEAL, Power Steering Pump Reservoir	6.635
13	SEAL, Steering Pump End Plate	6.609			
14	SEAL, Power Steering Gear Oil Pump Outlet Fitting	6.674			



**STEERING CONTROL LINKAGE
(TYPICAL)**

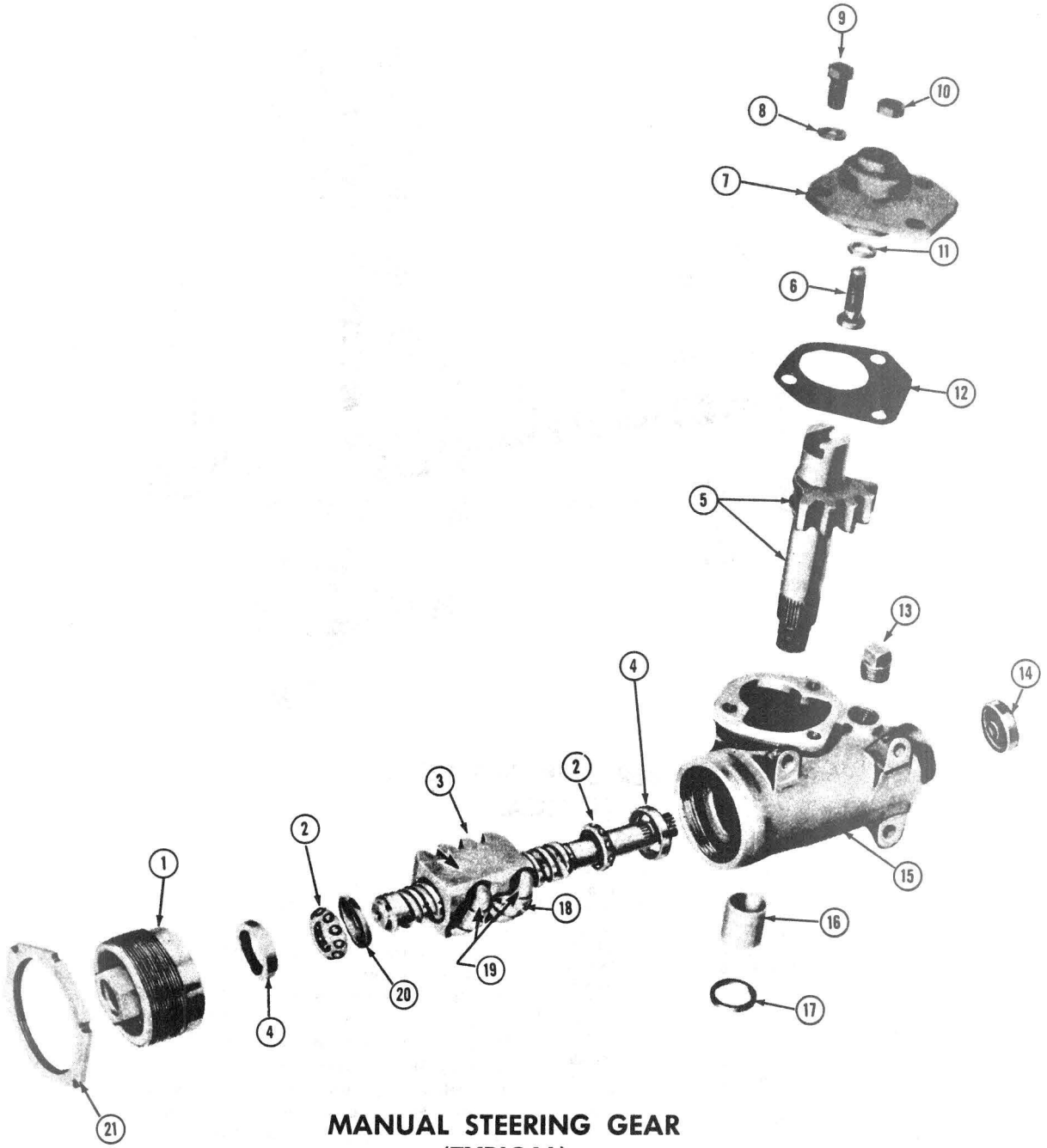
Key	Description	Group
1	Arm, steering gear pitman	6.859
2	Clamp, tie rod adjusting sleeve	6.234
3	Fitting, tie rod socket lubrication	
4	Arm, steering idler	6.895
5	Rod, steering relay	6.870

Key	Description	Group
6	Seal, steering tie rod to connecting rod ball stud	6.242
7	Socket, tie rod—inner	6.233
8	Socket, tie rod—outer	6.233
9	Tube, tie rod adjusting	6.232



1971-74 STEERING CONTROL LINKAGE

Key	Description	Group
1	Nut — 3/8 - 16	8.917
2	Bolt — 3/8 - 16 x 1 1/4	8.900
3	Washer	8.929
4	Arm, Steering Idler — Incl. Suport, Seal, Bushing	6.895
5	Housing Assembly, Steering Tie Rod	6.233
6	Rod, Steering Relay	6.870
7	Arm, Steering Gear Pitman	6.859
8	Lubrication Fitting	8.984
9	Tube, Tie Rod Adjusting	6.232
10	Clamp, Tie Rod Adjusting Sleeve	6.234
11	Housing Assembly, Steering Tie Rod	6.233
12	Nut — 7/16 - 20	8.915
13	Cotter Pin	8.938
14	Rod and Ball Stud Assembly, Steering Tie	6.230
15	Bolt, Steering Gear Assembly To Frame	6.508
16	Washer, Steering Gear To Frame	6.509
17	Gear, Steering	6.508

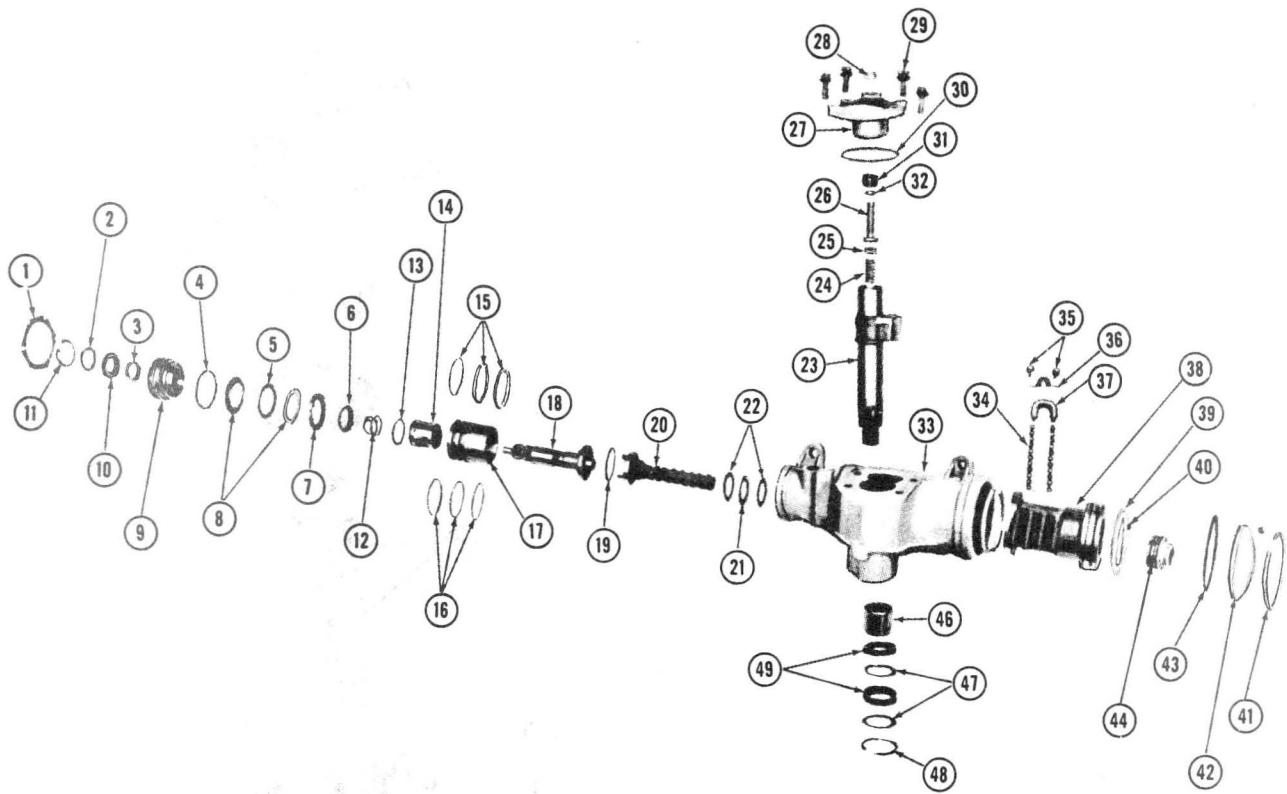


**MANUAL STEERING GEAR
 (TYPICAL)**

Key	Description	Group
1	Adjuster, Steering Gear Worm Bearing	6.830
2	Bearing, Steering Gear Thrust	6.835
3	Nut Kit, Steering Gear Ball	6.841
4	Cup, Steering Gear Worm Thrust Bearing	6.835
5	Gear, Steering Gear Pitman Shaft	6.850
6	Adjuster, Steering Gear Lash	6.822
7	Cover, Steering Gear Housing Side	6.807
8	Lockwasher	S.S.
9	Bolt	S.S.
10	Locknut	S.S.
11	Shim Package, Steering Gear Lash Adjuster	6.828
12	Gasket, Steering Gear Housing Side Cover	6.809

Key	Description	Group
13	Plug, Steering Gear Housing End	6.824
14	Seal, Steering Shaft Dust	6.806
15	Housing, Steering Gear	6.803
16	Bushing, Pitman Shaft	6.786
17	Seal, Steering Gear Pitman Shaft	6.855
18	Clamp, Guide	§N.S.S.
19	Guides, Return	§N.S.S.
20	Retainer, Steering Gear Lower Bearing	6.835
21	Nut, Steering Gear Adjuster Hub Lock	6.832

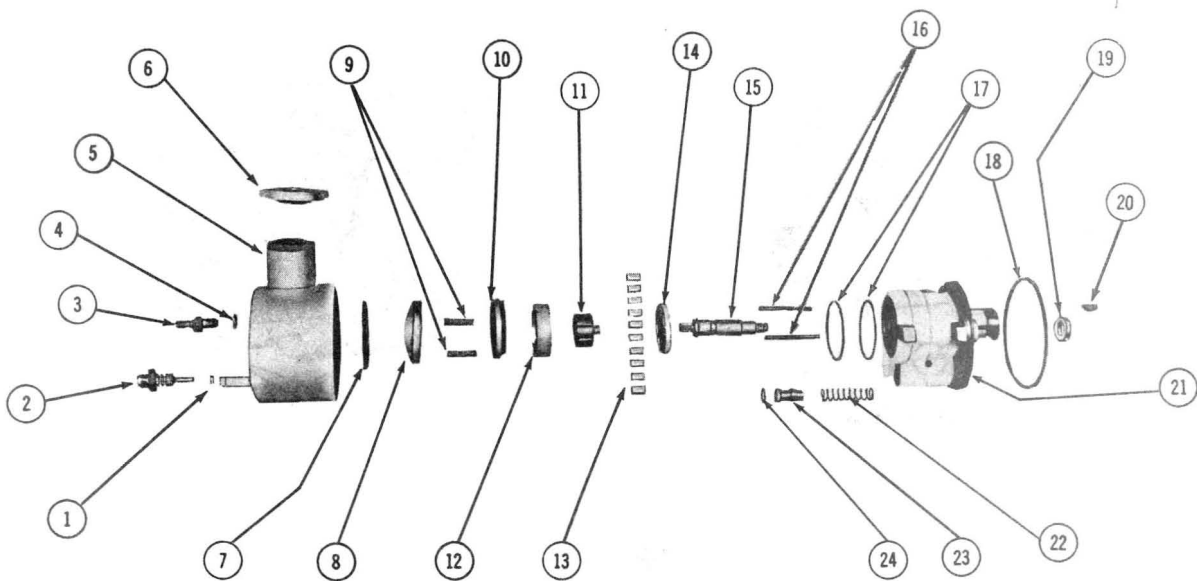
§ Serviced as part of "Guide and Clamp Unit, Steering Gear Ball Return"



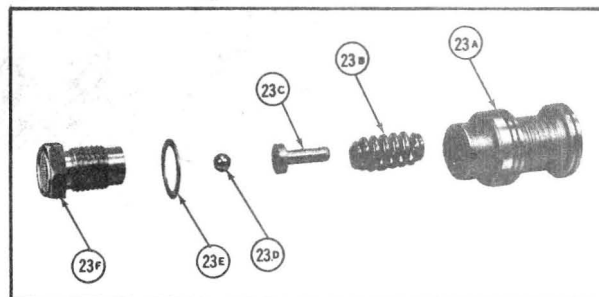
**POWER STEERING GEAR
 (TYPICAL)**

Key	Description	Group
1	Nut, Steering Gear Adjuster Hub Lock	6.832
2	Seal, Dust	†*N.S.S.
3	Bearing, Lower Shaft Bearing in Adjuster Plug	*6.826
4	"O" Ring, Seal	†*N.S.S.
5	Bearing, Thrust	*N.S.S.
6	Retainer, Thrust Bearing	*6.835
7	Spacer	*N.S.S.
8	Races	*N.S.S.
9	Plug Assembly, Power Steering Valve Adjuster	6.830
10	Seal, Oil	†*N.S.S.
11	Ring, Adjuster Plug Seat Retaining Snap	*6.840
12	Spring, Steering Gear Valve Spool	**6.552
13	"O" Ring, Steering Gear Valve Spool	†**6.552
14	Spool, Valve	**N.S.S.
15	Ring, Power Steering Valve Body	**6.552
16	Seal, Power Steering Valve Body	†**6.552
17	Body, Steering Gear Valve	*N.S.S.
18	Shaft, Steering Gear Valve	**N.S.S.
19	"O" Ring, Seal	†**N.S.S.
20	Worm	#N.S.S.
21	Bearing	■N.S.S.
22	Races	■N.S.S.
23	Shaft, Pitman	■N.S.S.
24	Spring	{N.S.S.
25	Washer	{N.S.S.
26	Adjuster, Lash	{N.S.S.
27	Cover, Steering Gear Housing Side	6.807
28	Nut, Pitman Shaft Lash Adjuster	6.822
29	Bolt and Lockwasher	S.S.
30	Seal, Steering Housing Side Cover "O" Ring	6.809
31	Retainer	{N.S.S.
32	Washer	{N.S.S.

Key	Description	Group
33	Housing, Steering Gear	6.803
34	Ball Kit, Power Steering Gear Worm	6.844
35	Bolts and Lockwashers	S.S.
36	Clamp, Steering Gear Worm Ball Return Guide	6.843
37	Guide, Steering Gear Worm Ball Return	6.842
38	Rack, Piston and Nut, Steering Gear Power	#6.586
39	Ring, Steering Gear Rack Piston	6.579
40	Seal, Steering Gear Rack Piston Ring Back-up "O" Ring	6.579
41	Ring, Steering Gear Housing End Cover Retaining	6.824
42	Plug, Steering Gear Housing End	6.824
43	Ring, "O", Steering Gear Housing End Cover Seal	6.825
44	Plug, Steering Gear Rack Piston End	6.586
46	Bearing, Steering Gear Pitman Shaft Needle	6.786
47	Washer, Pitman Shaft Seal Back-up	§6.855
48	Ring, Steering Gear Pitman Shaft Seal Retaining	§6.856
49	Seal Kit, Steering Gear Pitman Shaft	§6.855
†	Serviced in "Seal Kit, Steering Gear"	6.507
‡	Serviced in "Seal Kit, Steering Valve Adjusting Plug"	6.840
*	Serviced in "Adjuster Plug and Washer Assy., Power Steering"	6.830
**	Serviced in "Valve Assy., Steering Gear Hydraulic"	6.550
#	Serviced in "Rack, Piston and Nut Assy., Steering Gear Power"	6.586
■	Serviced in "Bearing Kit, Steering Gear Lower"	6.835
{	Serviced in "Shaft, Steering Gear Pitman"	6.850
§	Serviced in "Seal Kit, Pitman Shaft"	6.855

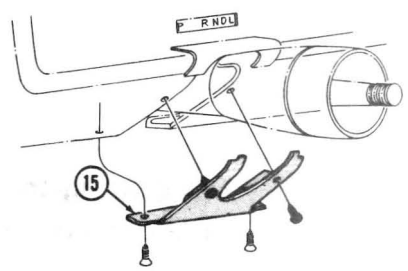
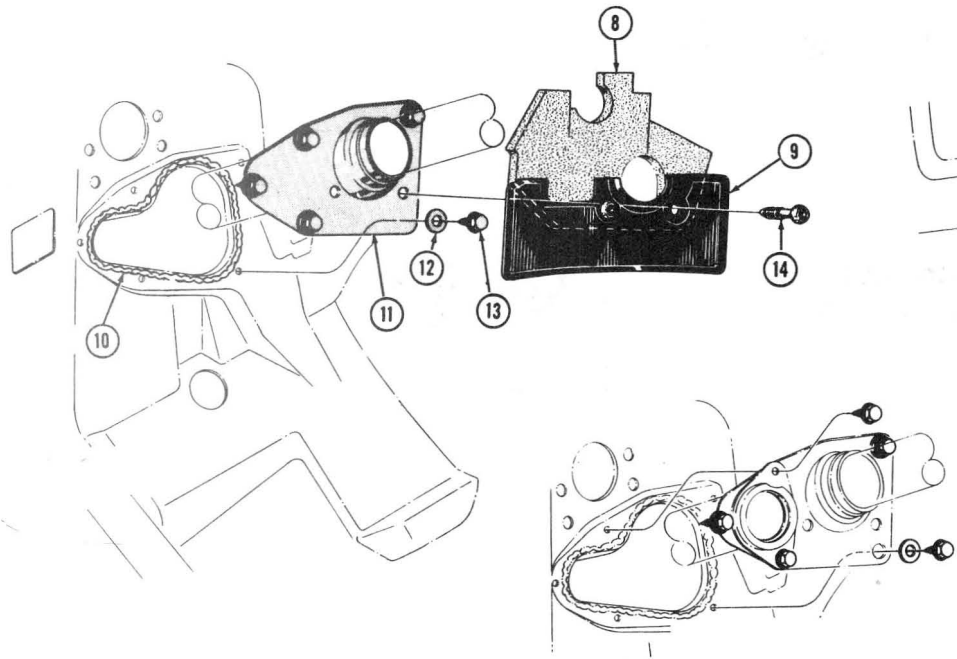
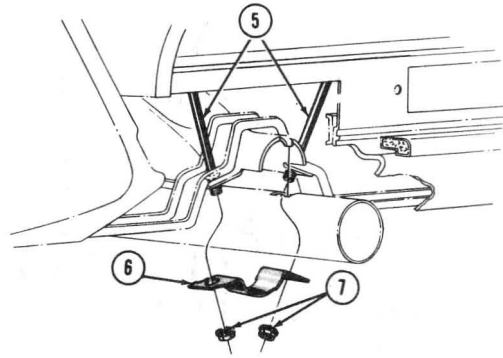
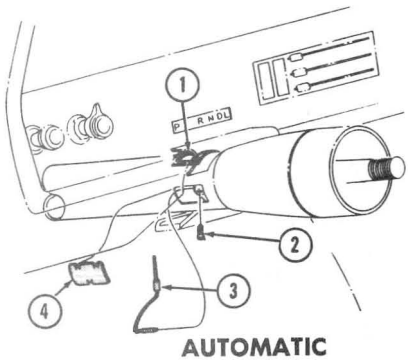


**POWER STEERING OIL PUMP
(TYPICAL FOR 1964-67)**



Key	Description	Group
1	O-Ring, Steering Gear Oil Pump Union	6.674
2	Filter, Power Steering Gear Oil Pump	6.673
3	Stud, Steering Gear Oil Pump Rear Mounting	6.635
4	O-Ring, Steering Gear Oil Pump Rear Mounting	6.674
5	Reservoir, Power Steering Gear Oil Pump	6.635
6	Cap, Power Steering Gear Oil Pump Reservoir	6.635
7	Ring, Steering Gear Oil Pump End Plate Retaining	6.609
8	Cover, Steering Gear Oil Pump Body End	6.609
9	Springs, Steering Gear Oil Pump Pressure Plate	6.612
10	Plate, Power Steering Pump—Pressure	6.612
11	Rotor, Power Steering Gear Oil Pump	6.610
12	Ring, Power Steering Pump Rotor	6.611
13	Vane Kit, Power Steering Gear Oil Pump Rotor	6.610
14	Plate, Power Steering Pump—Thrust	6.612
15	Shaft, Power Steering Gear Oil Pump	6.614

Key	Description	Group
16	Pin, Pump Body to Rotor Ring Alignment Dowel	6.608
17	O-Ring, Steering Gear Oil Pump	6.609
18	O-Ring, Steering Gear Oil Pump Reservoir to Body	6.635
19	Oil Seal, Steering Gear Oil Pump Shaft	6.617
20	Woodruff Key, Steering Gear Oil Pump Shaft	6.646
21	Housing, Power Steering Gear Oil Pump	6.608
22	Spring, Hydraulic Steering Pump Flow Control	6.612
23	Valve, Steering Gear Oil Pump Flow Control	6.624
23(a)	Body, Flow Control Valve	N.S.S.
23(b)	Spring, Control Valve Pressure Relief	N.S.S.
23(c)	Guide, Control Valve	N.S.S.
23(d)	Ball, Control Valve Pressure Relief	N.S.S.
23(e)	Shim, Control Valve	N.S.S.
23(f)	Plug, Control Valve	N.S.S.
24	Seal, Steering Gear Oil Pump Outlet Fitting O-Ring	6.674

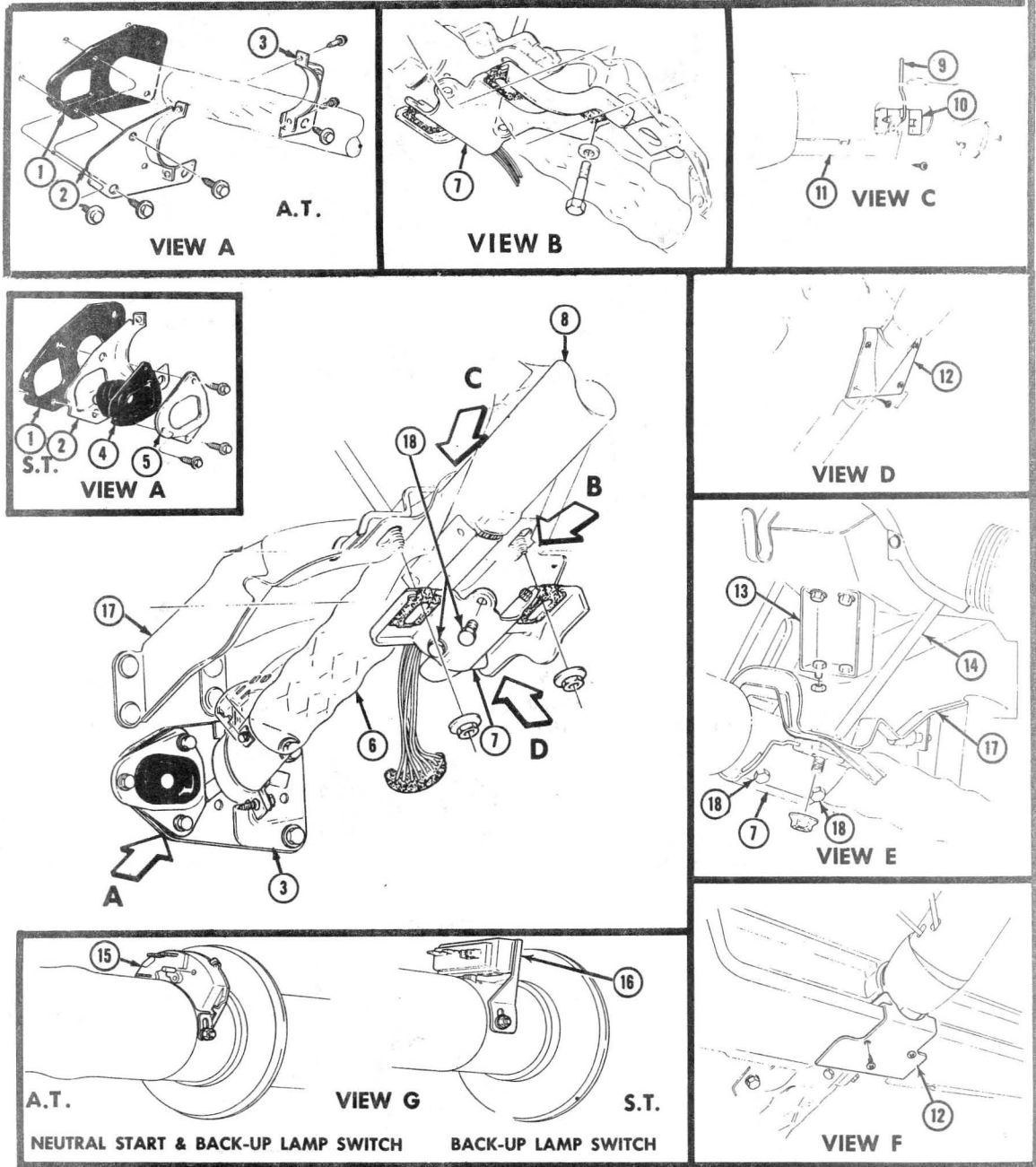


1964-66

**STEERING COLUMN MOUNTING DETAILS
(TYPICAL)**

Key	Description	Group
1	Shield, Column Shift Indicator Light	4.022
2	Set Screw	S.S.
3	Indicator, Transmission Shift	4.020
4	Cover, Steering Column Indicator Access Hole	4.020
5	Support, Steering Column	6.760
6	Clamp, Steering Column Upper	6.760
7	Nut, Steering Column Support to Instrument Panel Reinforcement	S.S.

Key	Description	Group
8	Seal, Steering Gear Jacket and Clutch Seal	N.L.
9	Cover, Steering Gear Jacket and Clutch Seal	9.038
10	Seal, Steering Column Cover to Floor	9.038
11	Cover, Steering Gear Jacket—To Dash	6.758
12	Washer, Steering Column Cover to Toe Pan	6.760
13	Screw	N.L.
14	Fastener, Dash Panel Mat	15.282
15	Cover, Instrument Panel Steering Column	6.760

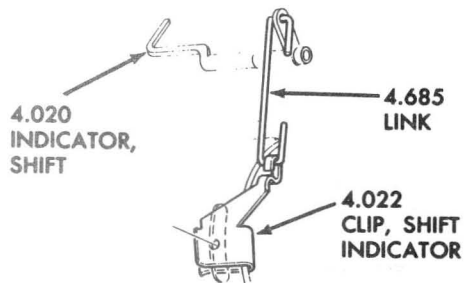
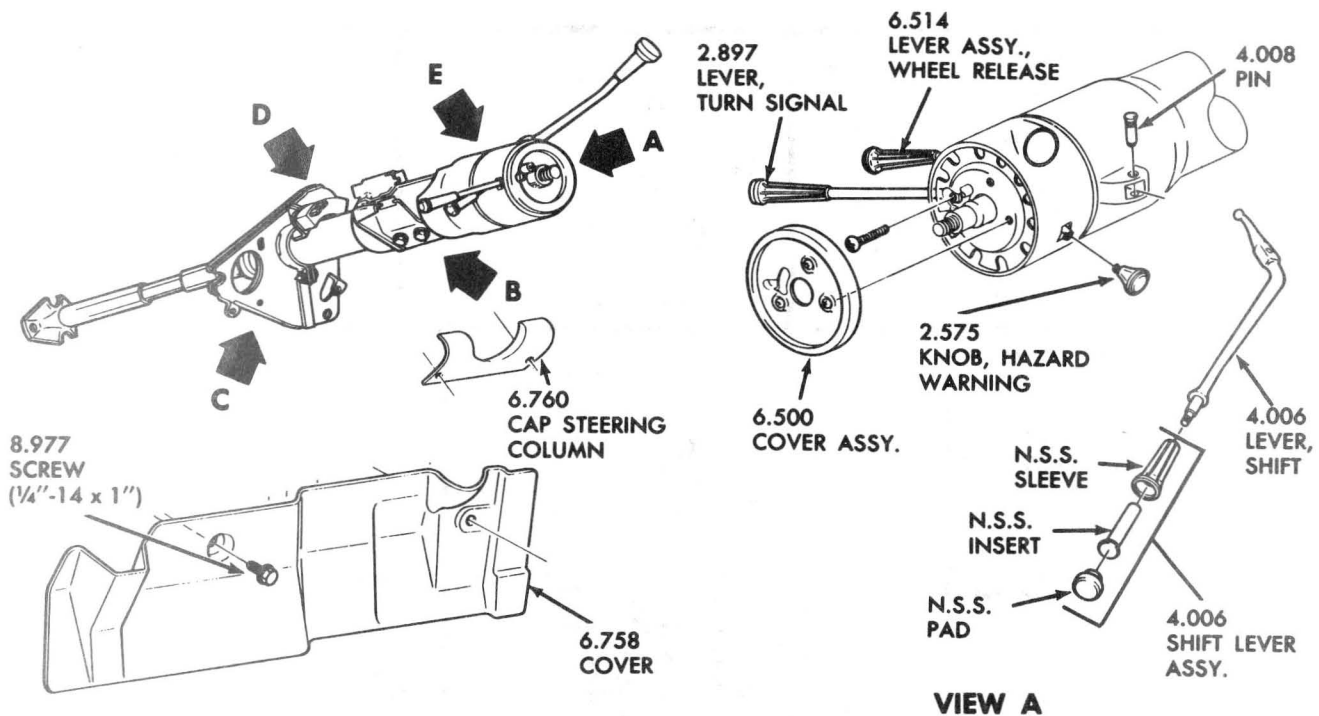


1967-68 STEERING COLUMN MOUNTING DETAILS

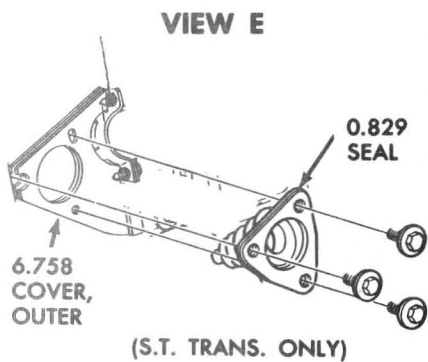
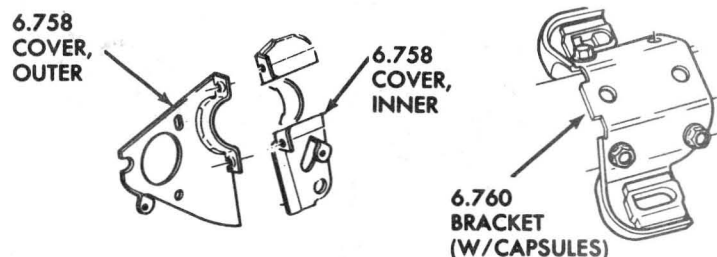
Key	Description	Group
1	Seal, Steering Column Dash	6.758
2	Cover Assy., Steering Column Floor—Outer	6.758
3	Cover Assy., Steering Column Floor—Inner	6.758
4	Bellows, Clutch Pedal Push Rod	0.829
5	Retainer, Clutch Release Bellows	0.829
6	Cover, Steering Jacket Mesh	6.518
7	Bracket Assy., Steering Column Support	6.760
8	Column, Steering	6.518
9	Indicator, Transmission Shift	4.020
10	Clamp, Transmission Shift Indicator	4.022

Key	Description	Group
11	Protector, Wire	6.518
12	Cap, Steering Column	6.760
13	Support, Instrument Panel End	10.230
14	Support, Steering Column	6.760
15	Switch, Transmission Control Safety and Back Up Lamp	4.054
16	Switch, Back Up Lamp	2.698
17	Bracket, Brake Pedal Mounting	4.634
18	Bolt, (5/16 — 18 x 7/16)	SS

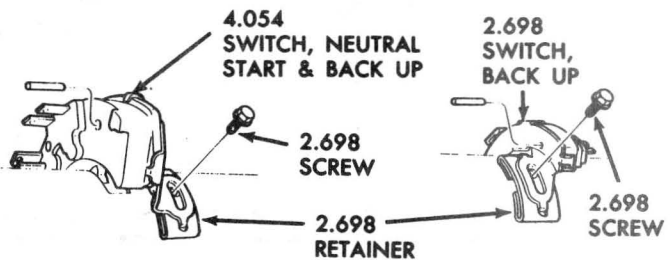
SS—Standard Stock



**AUTOMATIC TRANSMISSION
SHIFT INDICATOR LINKAGE
INSTALLATION
(EXC. FLOOR SHIFT MODELS)**

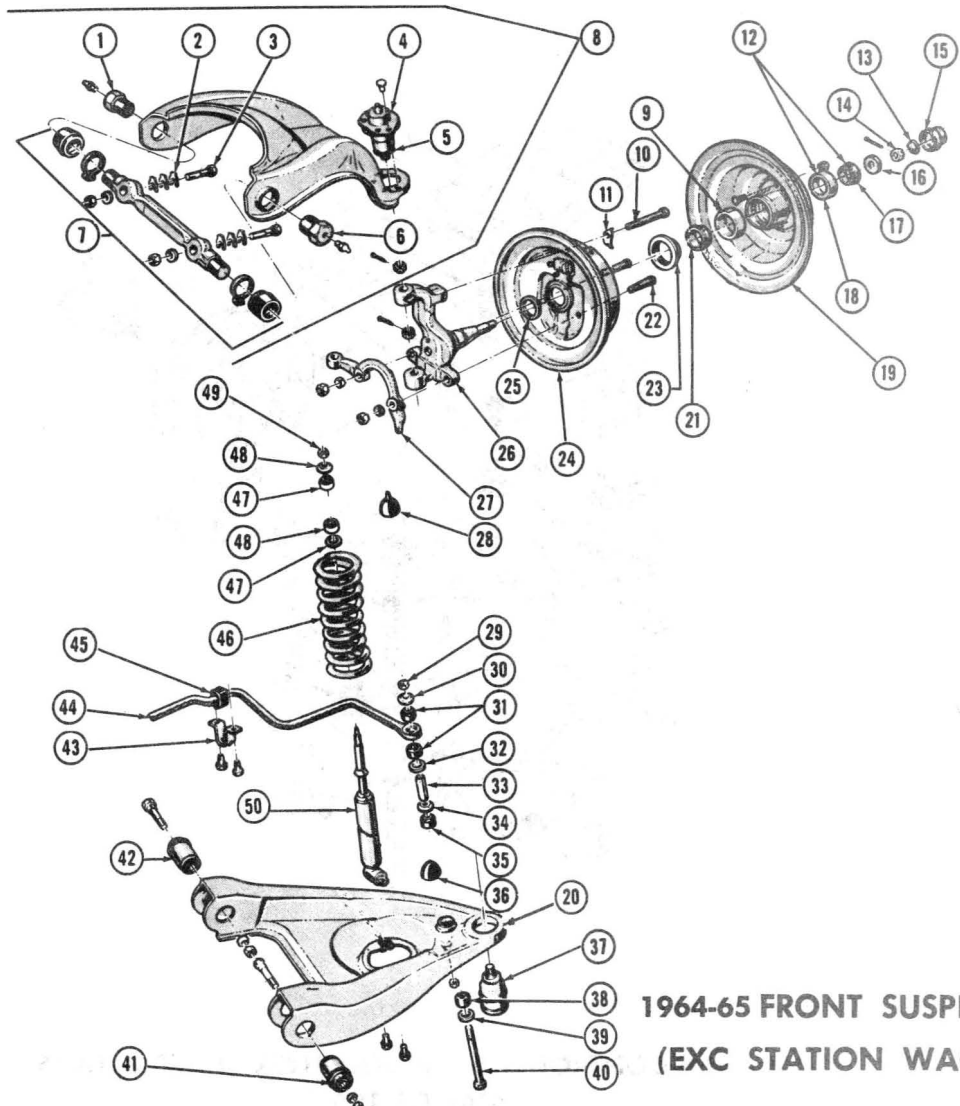


**AUTOMATIC TRANSMISSION
NEUTRAL START & BACK-UP
LAMP SWITCH INSTALLATION
(EXC. FLOOR SHIFT MODELS)**



**MANUAL TRANSMISSION
BACK-UP LAMP SWITCH
INSTALLATION
(EXC. FLOOR SHIFT MODELS)**

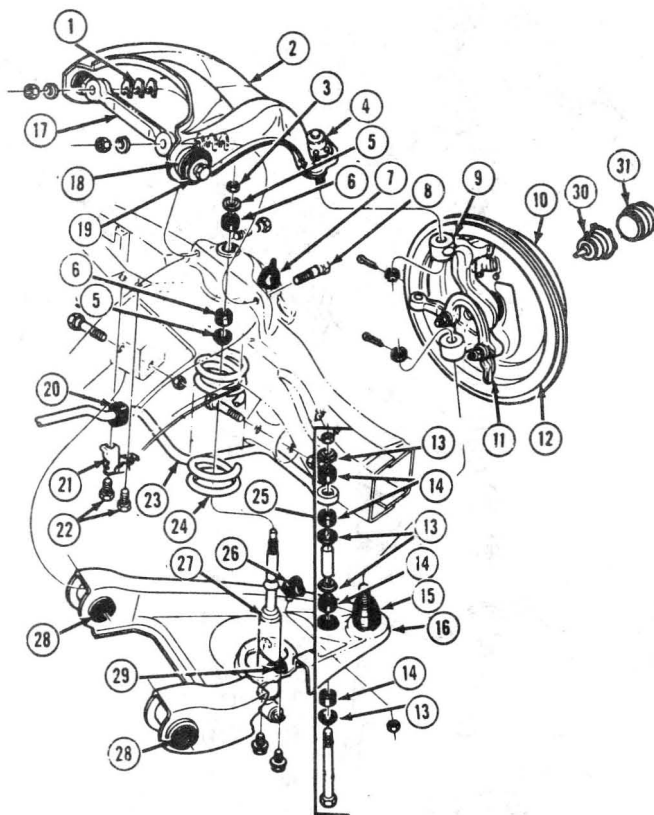
**1969 F-85 STEERING COLUMN DRESS
(TYPICAL OF 1970 THRU 1973)**



**1964-65 FRONT SUSPENSION
(EXC STATION WAGON)**

Key	Description	Group
1	Bushing, Steering Knuckle Upper Control Arm with Fitting	6.164
2	Shim, Stg Knuckle Upper Control Arm	6.178
3	Bolt, Front Suspension Upper Control Arm to Frame	6.178
4	Stud Replacement Unit, Steering Knuckle Upper Control Arm Ball	6.164
5	Seal Kit, Front Wheel Control Arm Ball Joint	6.178
6	Bushing, Steering Knuckle Upper Control Arm with fitting	6.164
7	Shaft Assy., Stg Knuckle Upper Control Arm	6.178
8	Arm & Ball Stud Assy., Steering Knuckle Upper Control with Shaft	6.168
9	Cup, Front Wheel Bearing Ball	6.316
10	Bolt, Front Brake to Steering Knuckle Anchor	6.104
11	Plate, Front Brake Anchor Bolt Lock	6.104
12	Bearing Assy, Front Wheel—Outer	6.313
13	Collector, Front Wheel Static	6.331
14	Nut, Steering Knuckle Spindle	6.022
15	Cap	6.330
16	Washer, Steering Knuckle Spindle	6.321
17	Cone & Roller, Front Wheel Outer Bearing	6.319
18	Cup, Front Wheel Bearing Ball—Outer	6.317
19	Hub and Drum, Front Wheel	5.809
20	Arm and Ball Stud, Steering Knuckle Lower Control	6.168
21	Cone and Roller Assy., Front Wheel Inner Bearing	6.318
22	Bolt (7/16—14 x 1 3/8)	N.L.
23	Seal, Front Wheel Inner Bearing	6.326

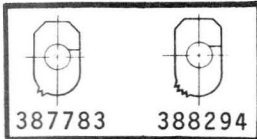
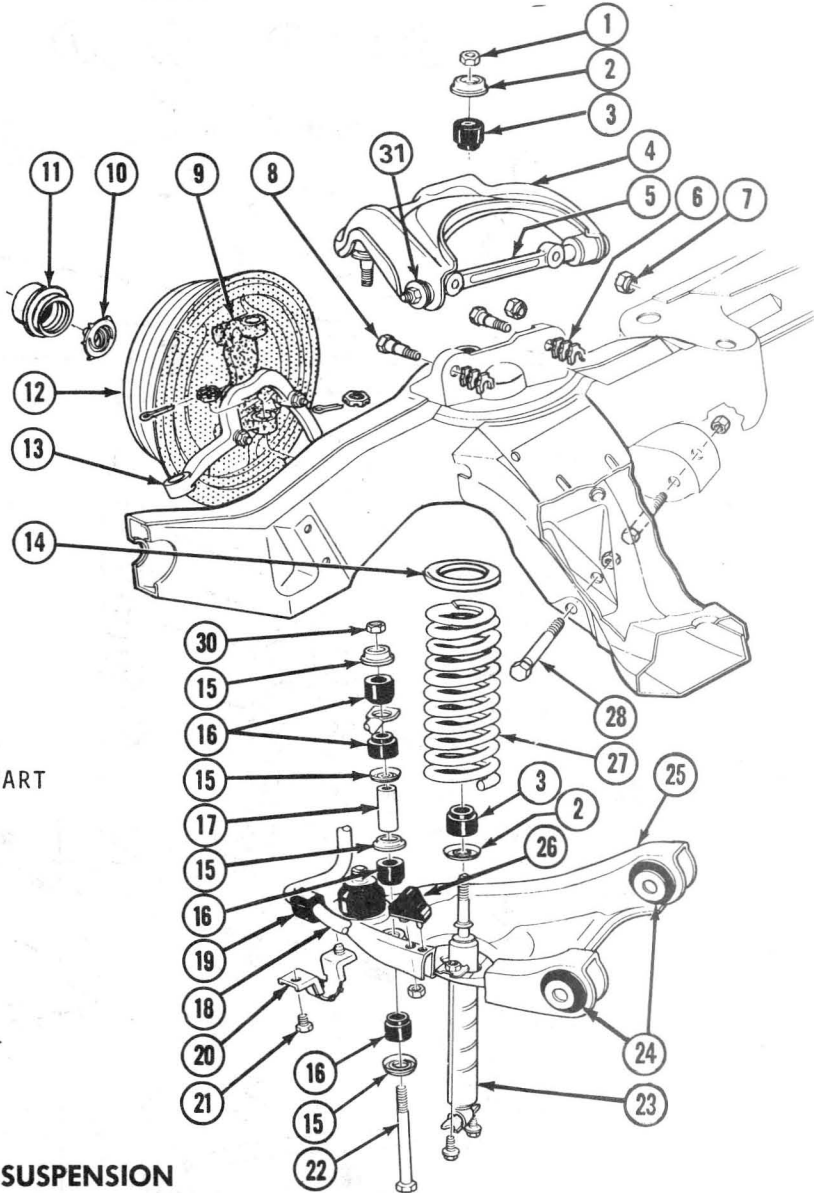
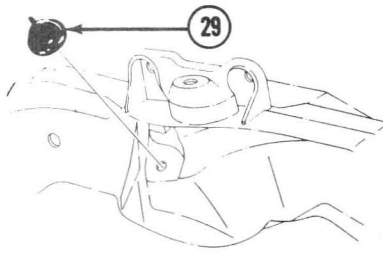
Key	Description	Group
24	Plate, Front Brake Backing	5.001
25	Gasket, Front Brake Backing Plate—To Stg Knuckle	5.002
26	Knuckle, Steering	6.020
27	Arm, Steering Knuckle	6.103
28	Bumper, Front Suspension Upper Control Arm	6.176
29	Nut, Front Stabilizer Link to Lower Control Arm Bracket	7.238
30	Washer, Front Stabilizer Link Grommet Retainer	7.245
31	Grommet, Front Stabilizer Link	7.244
32	Washer, Front Stabilizer Link Grommet Retainer	7.245
33	Spacer, Front Stabilizer Link	7.240
34	Washer, Front Stabilizer Link Grommet Retainer	7.245
35	Grommet, Front Stabilizer Link	7.244
36	Bumper, Steering Knuckle Control Arm—Lower	6.176
37	Ball Joint, Steering Knuckle Control Arm—Lower	6.174
38	Grommet, Front Stabilizer Link	7.244
39	Washer, Front Stabilizer Link Grommet Retainer	7.245
40	Link, Front Stabilizer	7.240
41	Bushing Assy, Stg Knuckle Lower Control Arm (Rear)	6.170
42	Bushing Assy, Stg Knuckle Lower Control Arm (Front)	6.170
43	Bracket, Front Stabilizer Shaft	7.242
44	Shaft, Front Stabilizer	7.241
45	Bushing, Front Stabilizer Shaft	7.243
46	Spring, Front	7.412
47	Washer, Front Stabilizer Link Grommet Retainer	7.245
48	Grommet, Front Stabilizer Link	7.244
49	Nut, Shock Absorber to Front Lower Control Arm	7.395
50	Absorber, Front Shock	7.345



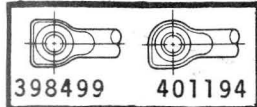
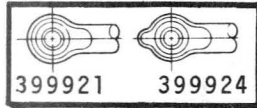
**1966—F-85 CONTROL ARMS & STABILIZER SHAFT DETAILS
(TYPICAL OF 1967)**

Key	Description	Group
1	SHIM	6.178
2	ARM (Upper)	6.168
3	NUT	7.347
4	BALL JOINT PACKAGE	6.178
5	RETAINER	7.395
6	GROMMET	7.348
7	BUMPER	6.176
8	BOLT	6.178
9	KNUCKLE, Strg.	6.020
10	HUB & DRUM	5.809
11	ARM, Strg. Plain	6.103
12	PLATE, Backing	5.001
13	WASHER	7.245
14	GROMMET	7.244
15	BALL JOINT	6.174
16	ARM (Lower)	6.168

Key	Description	Group
17	SHAFT	6.178
18	BUSHING	6.164
19	RETAINER	6.178
20	BUSHING	7.243
21	BRACKET	7.242
22	SCREW	7.242
23	SHAFT	7.241
24	SPRING	7.412
25	LINK PACKAGE	7.240
26	BUMPER	6.176
27	SHOCK (Front)	7.345
28	BUSHING	6.170
29	NUT (J Type)	7.347
30	COLLECTOR	9.663
31	RETAINER	6.330



BUSHING IDENTIFICATION CHART

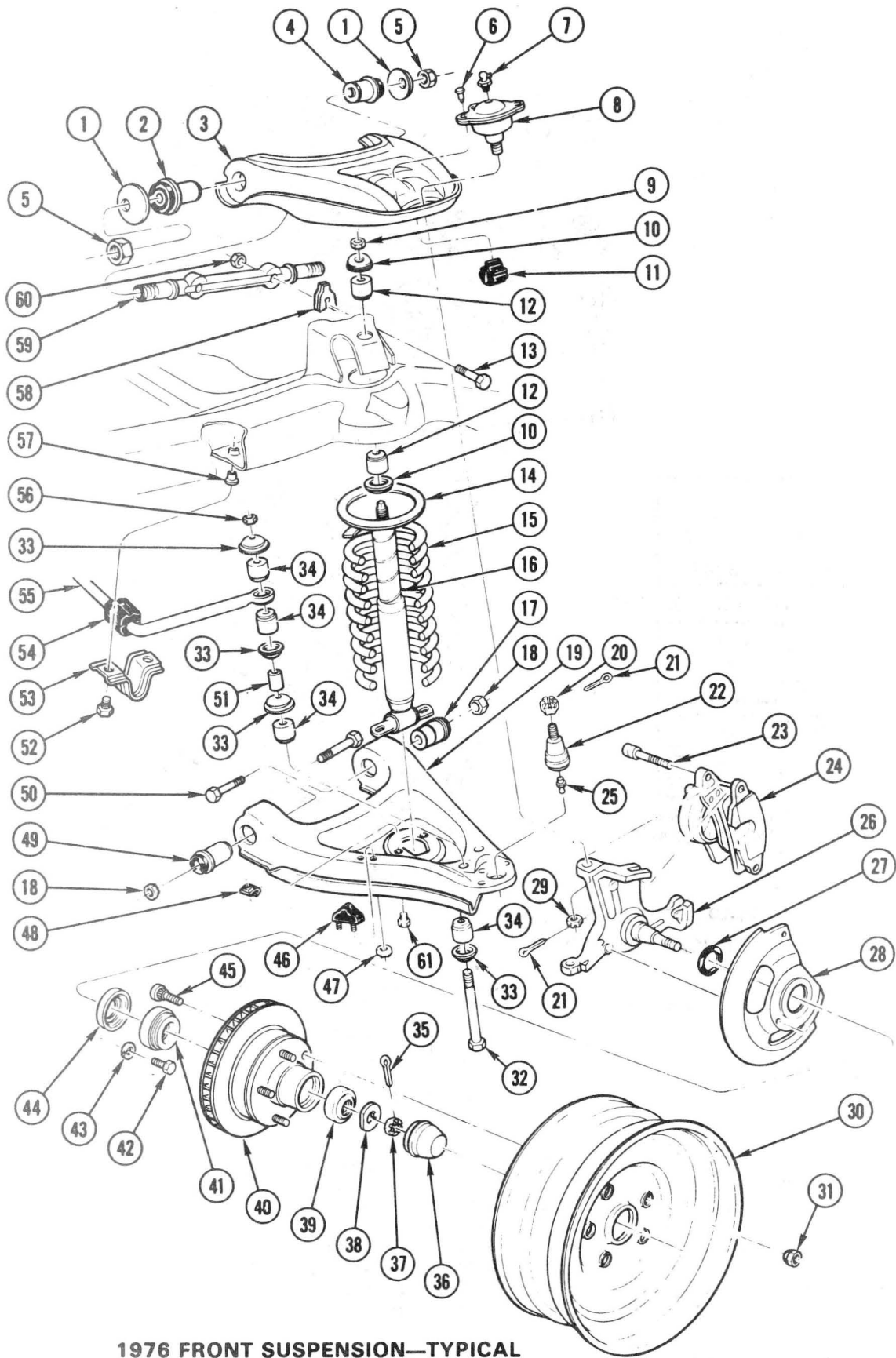


FRONT STABILIZER SHAFT IDENTIFICATION CHART

**1969 FRONT SUSPENSION
(TYPICAL OF 1970-74)**

Key	Description	Group
1	NUT	7.347
2	RETAINER	7.377
3	GROMMET	7.348
4	ARM, Upper	6.168
5	SHAFT	6.178
6	SHIM	6.178
7	NUT	8.917
8	BOLT (5/16"-14 x 2 1/4")	6.178
9	KNUCKLE, Strg.	6.020
10	COLLECTOR	9.663
11	RETAINER	6.330
12	HUB & DRUM	5.809
13	ARM, Strg. Plain	6.103
14	SHIM	7.425
15*	RETAINER	7.244
16*	GROMMET	7.244

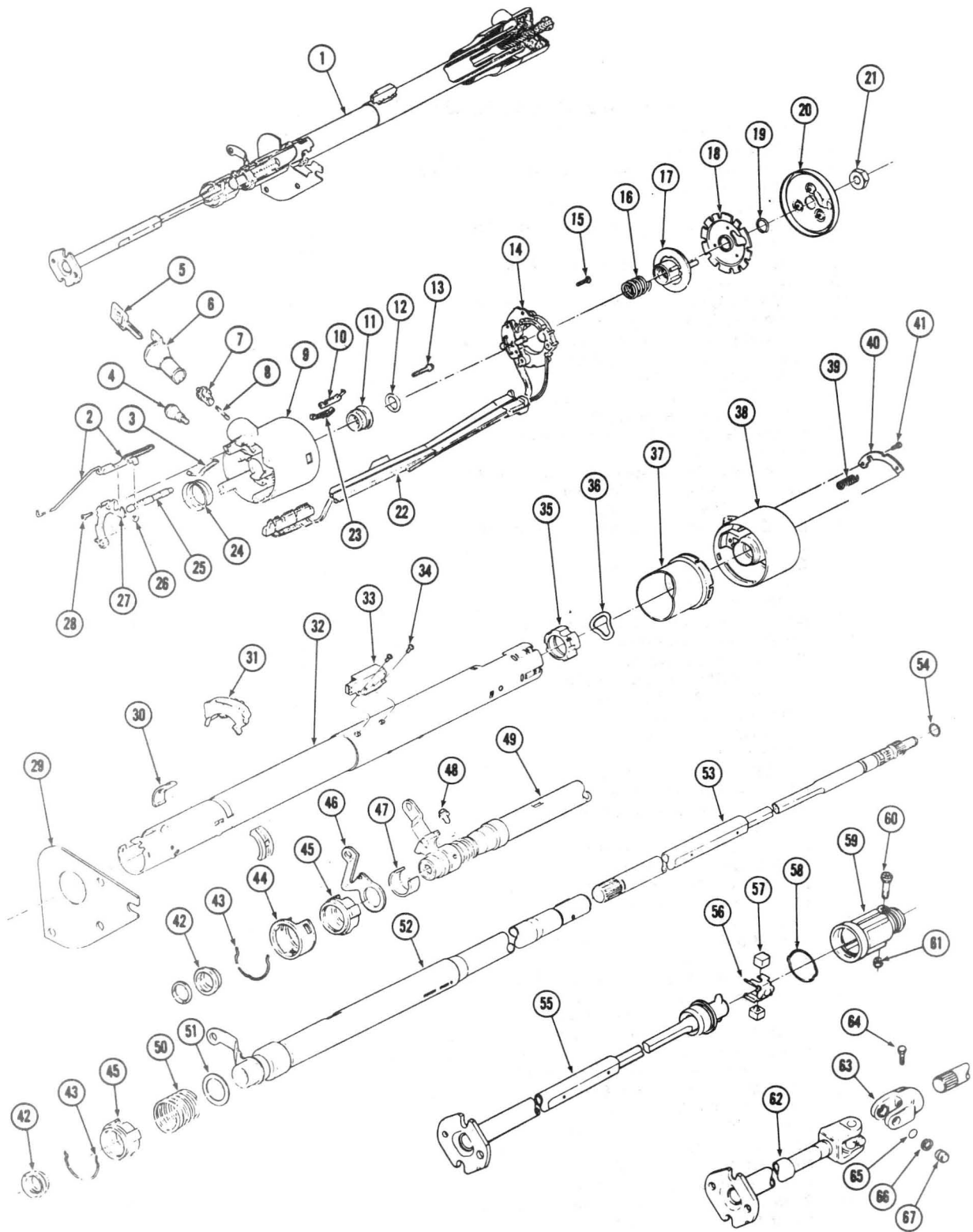
Key	Description	Group
17	SPACER	7.240
18	SHAFT	7.241
19	BUSHING	7.243
20	BRACKET	7.242
21	SCREW	8.977
22*	LINK	7.240
23	SHOCK, Front	7.345
24	BUSHING	6.170
25	ARM, Lower	6.168
26	BUMPER	6.176
27	SPRING	7.412
28	BOLT (1/2"-13 x 3 3/4")	8.900
29	BUMPER	6.176
30*	NUT	7.238
	* LINK PACKAGE	7.240
31	BUSHING	6.164



1976 FRONT SUSPENSION—TYPICAL

1976 FRONT SUSPENSION—TYPICAL

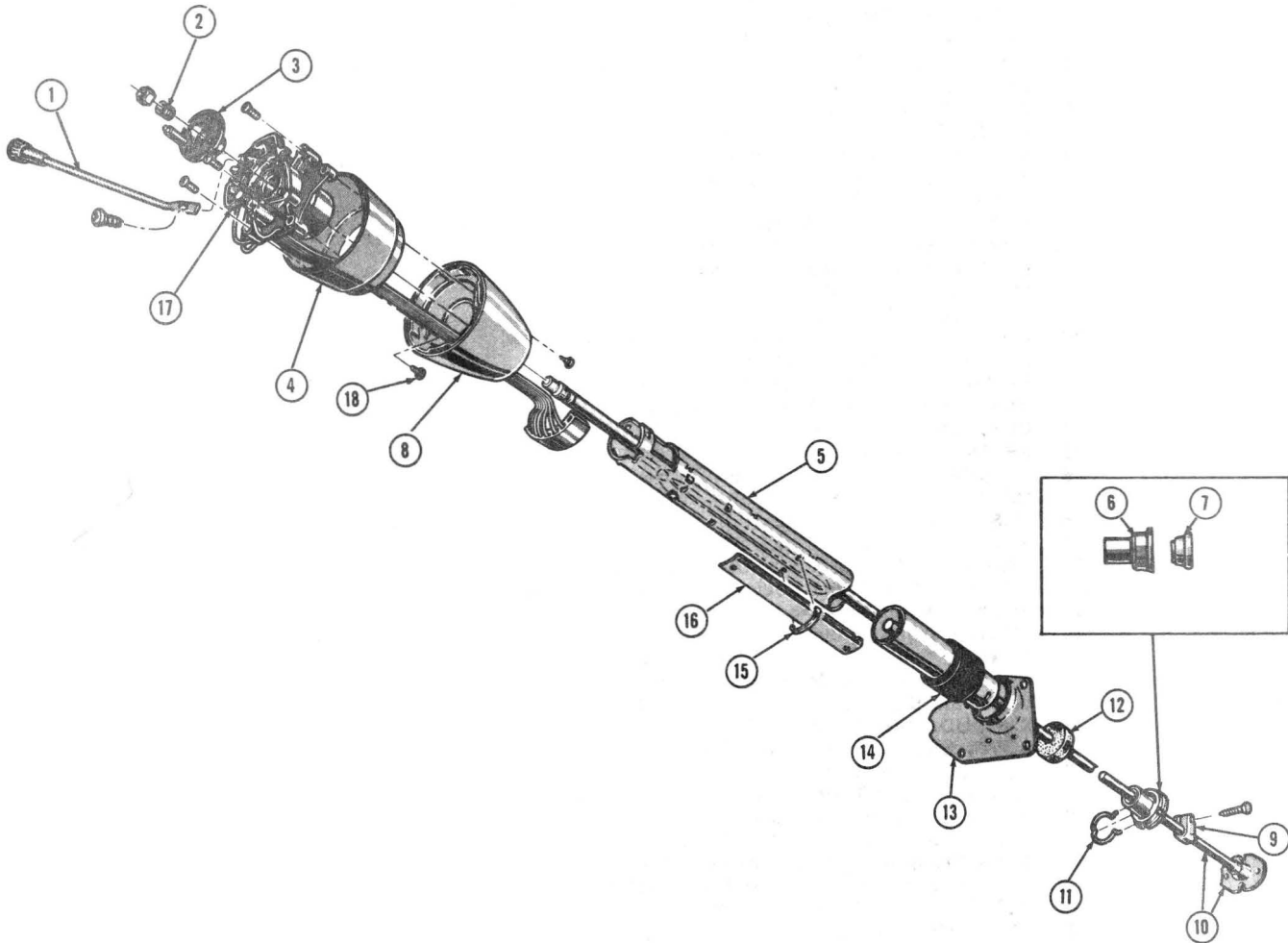
1.	RETAINER, Upper Cont. Arm Bush.	6.163
2.	BUSHING ASM., Upper Cont. Arm	6.164
3.	ARM ASM., Frt. Suspension Upper Control Arm	6.168
4.	BUSHING, Front	6.164
5.	NUT ($\frac{5}{8}$ "—18)	8.917
6.	RIVET, Strg. Knu. Upr. Cont. Arm Ball Stud	N.S.
7.	FITTING, Lubrication	8.984
8.	BALL JOINT PKG., Upper Cont. Arm	6.164
9.	NUT ($\frac{3}{8}$ "—16)	8.916
10.	RETAINER, Frt. Shk. Abs. to Upr. Arm Brkt.	7.377
11.	BUMPER, Upper Strg. Knu. Upr. Cont. Arm	6.176
12.	GROMMET, Frt. Shk. Abs. to Upr. Arm Brkt.	7.377
13.	BOLT, Upr. Arm Shaft to Frame Brkt.	6.178
14.	INSULATOR, Frt. Spring	7.420
15.	SPRING, Frt. Coil	7.412
16.	SHOCK ABSORBER ASM., Frt.	7.345
17.	BUSHING, Lower Control Arm Rear	6.169
18.	NUT ($\frac{1}{2}$ "—13)	8.917
19.	ARM ASM., Frt. Suspension Lwr. Cont. Arm	6.174
20.	NUT, Strg. Knu. Cont. Arm Ball Stud	6.174
21.	COTTER PIN ($\frac{1}{8}$ " x $1\frac{1}{4}$ ")	8.938
22.	STUD & SEAL ASM., Whl. Lwr. Cont. Arm	6.174
23.	BOLT, Caliper Asm.	N.S.
24.	CALIPER ASM., Frt. Brake	4.665
25.	FITTINGS, Ball Joint	8.984
26.	KNUCKLE, Steering	6.020
27.	GASKET, Frt. Brake Supt. to Knuckle	5.002
28.	SHIELD, Frt. Disc Brake	5.002
29.	NUT, Ball Joint to Strg. Knu.	6.164
30.	WHEEL ASM., Frt. Suspension	5.803
31.	NUT, Wheel Bolt ($\frac{1}{2}$ "—20)	5.813
32.	LINK, Frt. Stabilizer	7.240
33.	RETAINER, Frt. Stab. Link Grommet	7.245
34.	GROMMET, Frt. Stab. Link	7.244
35.	COTTER PIN ($\frac{1}{4}$ " x $1\frac{1}{4}$ ")	8.938
36.	CAP, Wheel Bearing Grease	6.330
37.	NUT, Steering Knuckle ($\frac{3}{4}$ "—20)	6.022
38.	WASHER, Strg. Knu. Spindle	6.321
39.	BEARING ASM., Hub & Disc	6.313
40.	HUB & DISC, Frt. Wheel	5.809
41.	BEARING ASM., Frt. Wheel Inner	6.311
42.	BOLT, Shield to Knuckle	5.002
43.	WASHER ($\frac{3}{16}$ ")	8.929
44.	SEAL ASM., Frt. Wheel Hub Oil	6.326
45.	BOLT, Frt. Wheel Hub	5.812
46.	BUMPER ASM., Strg. Knu. Lwr. Cont. Arm	6.176
47.	NUT, Bumper Asm. ($\frac{3}{8}$ "—16)	6.896
48.	NUT, Frt. Shk. Abs. to Lwr. Cont. Arm	7.395
49.	BUSHING, Strg. Knu. Lwr. Cont. Arm	6.170
50.	BOLT, Frt. Susp. Lwr. Cont. Arm to Frame ($\frac{1}{2}$ "—13 x $3\frac{3}{4}$ ")	6.172
51.	SPACER, Frt. Stab. Link Bolt Grommet	7.240
52.	SCREW, Frt. Stab. Shaft Brkt.	7.242
53.	BRACKET, Frt. Stab. Shaft	7.242
54.	INSULATOR, Frt. Stab. to Frame	7.243
55.	SHAFT, Frt. Stabilizer	7.241
56.	NUT, Frt. Stab. Link ($\frac{5}{16}$ "—18)	7.238
57.	NUT, Stabilizer Brkt. to Frame ($\frac{3}{8}$ "—16)	7.242
58.	SHIMS, Upper Cont. Arm Shaft	6.178
59.	SHAFT, Upper Cont. Arm	6.164
60.	NUT, Upper Cont. Arm to Frame Brkt. ($\frac{1}{2}$ "—13)	8.917
61.	BOLT, Frt. Shk. Abs. to Lwr. Cont. Arm Nut	N.S.



1976 STANDARD STEERING COLUMN—MAN. & A.T.

1976 STANDARD STEERING COLUMN—MAN. & A.T.

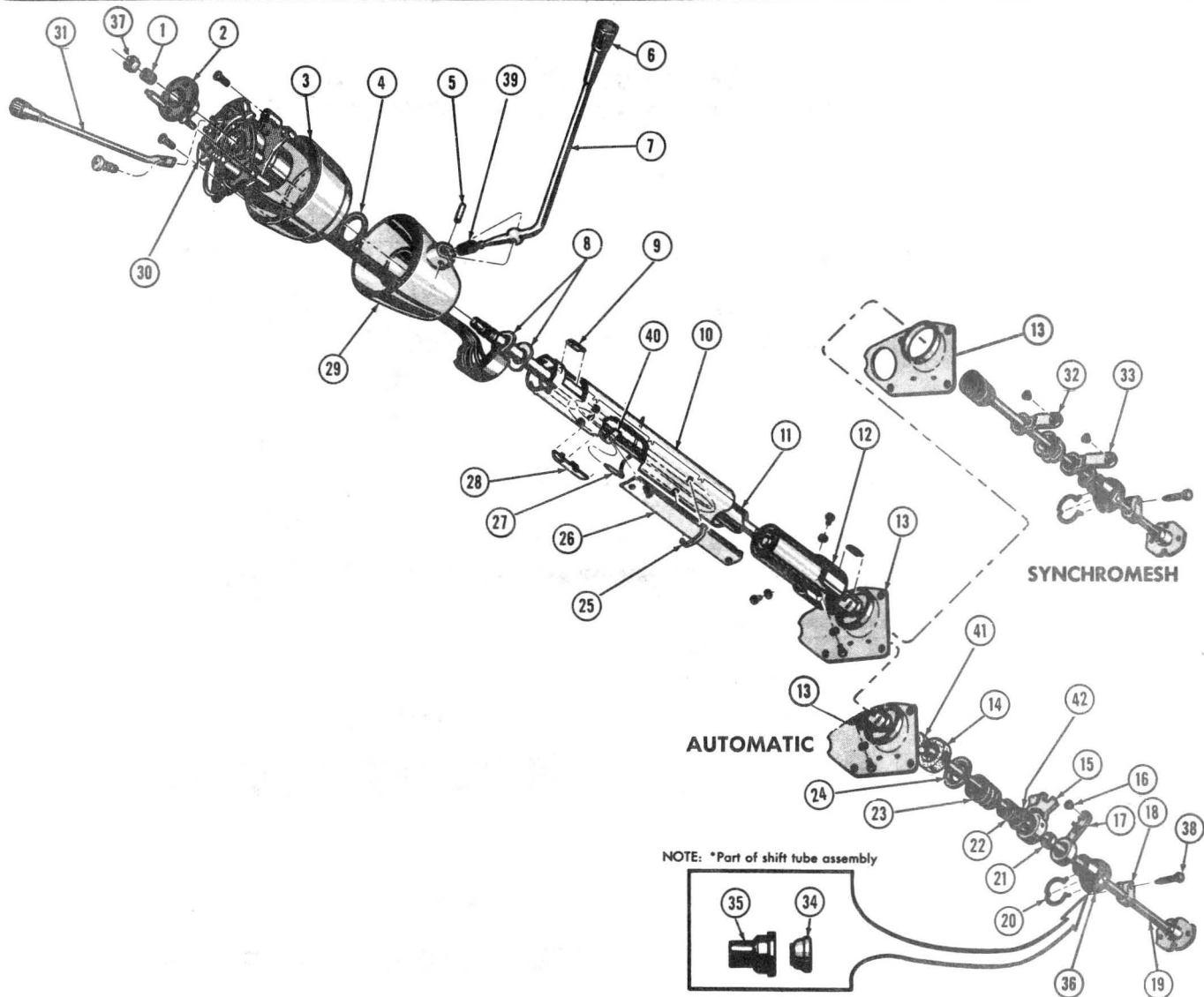
1.	COLUMN ASM., Steering	6.518
2.	RACK ASM., Shaft Lock	2.195
3.	SPRING, Housing Rack Preload	2.195
4.	KNOB, Hazard Flasher	2.575
5.	KEY, Ignition	2.187
6.	CYLINDER ASM., Ignition	2.188
7.	SECTOR, Ignition Switch Actuator	2.195
8.	SHAFT, Ignition Switch Actuator Sector	2.195
9.	HOUSING, Steering Column	2.906
10.	SWITCH ASM., Ignition Buzzer	2.195
11.	BEARING ASM., Steering Shaft Upper	6.521
12.	WASHER, Steering Shaft Upper Thrust	4.012
13.	SCREW, Upper Brg. Housing Support	N.S.
14.	SWITCH ASM., Directional Signal	2.895
15.	SCREW, Turn Signal Switch	2.895
16.	SPRING, Steering Shaft Upper Bearing	6.521
17.	CAM ASM., Turn Signal Cancelling	2.896
18.	LOCK, Steering Shaft	6.500
19.	RING, Upper Steering Shaft Retaining	6.521
20.	COVER ASM., Steering Column Lock Plate (w/Screw)	6.500
21.	NUT, Steering Shaft to Wheel	6.515
22.	PROTECTOR, Turn Signal Control Wire	2.906
23.	CLIP, Ignition Buzzer Switch Retainer	2.195
24.	CUP, Turn Signal Housing Thrust	2.906
25.	SPRING & BOLT ASM., Steering Column Housing	6.500
26.	WASHER, Housing Rack Spring Thrust	6.500
27.	GATE, Turn Signal Housing Shift Lever	4.027
28.	SCREW, Turn Signal Housing Shift Lever Gate	2.906
29.	SEAL, Steering Column to Dash	6.758
30.	GROMMET, Neutral & Back-Up Lamp Retainer	2.698
31.	SWITCH ASM., Trans. Neutralizer & Back-Up Lamp	2.698
32.	JACKET ASM., Steering Column	6.518
33.	SWITCH ASM., Ignition	2.188
34.	SCREW, Ignition Switch to Steering Column	N.S.
35.	BEARING, Steering Column Bowl Lower	6.521
36.	WASHER, Steering Column Bowl (Wave)	4.012
37.	SHROUD, Steering Column Bowl	4.010
	BOWL, Strg. Column w/Floor Shift	6.518
38.	BOWL, Gear Shift Lever	4.010
39.	SPRING, Upper Gearshift Lever	4.008
40.	PLATE, Gearshift Lever Bowl	4.010
41.	SCREW, Gearshift Lever Bowl Plate	4.012
42.	BEARING, Steering Shaft Adapter-Lower	6.521
43.	CLIP, Steering Column Lower Brg. Adapter	6.521
44.	RETAINER, Steering Column Lower Brg. Adapter	6.521
45.	ADAPTER, Steering Column Lower Brg.	6.521
46.	LEVER, Steering Column Lower Shift	4.030
47.	SPACER, Steering Column Shift Lever	4.032
48.	SCREW & WASHER, to Shift Tube (1/4"—20 x 1/2")	8.977
49.	TUBE ASM., Gearshift	4.025
50.	SPRING, Steering Column Shift Tube Return	4.027
51.	WASHER, Steering Column Shift Tube Return Spring Thrust	4.027
52.	TUBE ASM., Gearshift	4.025
53.	SHAFT ASM., Steering-Upper	6.524
54.	RING, Upper Steering Shaft Retaining	6.521
55.	SHAFT ASM., Steering-Intermediate	6.524
56.	SPRING, Intermediate Steering Shaft Coupling	6.525
57.	BEARING, Intermediate Steering Shaft Coupling	6.525
58.	RING, Intermediate Shaft Seal Retainer	6.525
59.	CLAMP, PLUG & COUPLING, Intermediate Shaft	6.525
60.	BOLT, Coupling to Upper Shaft	N.S.
61.	NUT, Coupling to Upper Shaft	N.S.
62.	SHAFT ASM., Steering-Intermediate	6.524
63.	YOKE, Intermediate Shaft-Upper	6.525
64.	BOLT, Intermediate Shaft	N.S.
65.	SEAL, Intermediate Steering Shaft "U/J" Oil	6.525
66.	RING, Intermediate Steering Shaft "U/J" Retaining	6.525
67.	BEARING, Intermediate Steering Shaft "U/J"	6.525



1964-66
STEERING COLUMN — FLOOR SHIFT
(TYPICAL)

Key	Description	Group
1	Lever, Turn Signal	2.897
2	Spring, Steering Shaft Upper Bearing	6.521
3	Cam, Direction Signal Cancelling	2.896
4	Housing, Direction Signal Control Switch	2.906
5	Jacket, Steering Gear	6.518
6	Adapter, Steering Shaft Lower Bearing	6.521
7	Bearing, Steering Shaft Lower	6.521
8	Bowl, Steering Jacket Upper	6.518
9	Clamp, Steering Column Shaft Lower Bearing	6.521
10	Shaft, Steering Gear	6.524

Key	Description	Group
11	Retainer, Lower Bearing Adapter	6.521
12	Seal, Steering Shaft Lower	6.758
13	Cover, Steering Gear Jacket—To Floor	6.760
14	Sleeve, Steering Column Jacket	2.892
15	Retainer, Directional Sign and Horn Wire Cover	2.901
16	Cover, Steering Column Wiring	6.518
16a	Cover, Steering Column Switch Actuator	2.895
17	Switch, Direction Signal Control	S.S.
18	Screw	S.S.

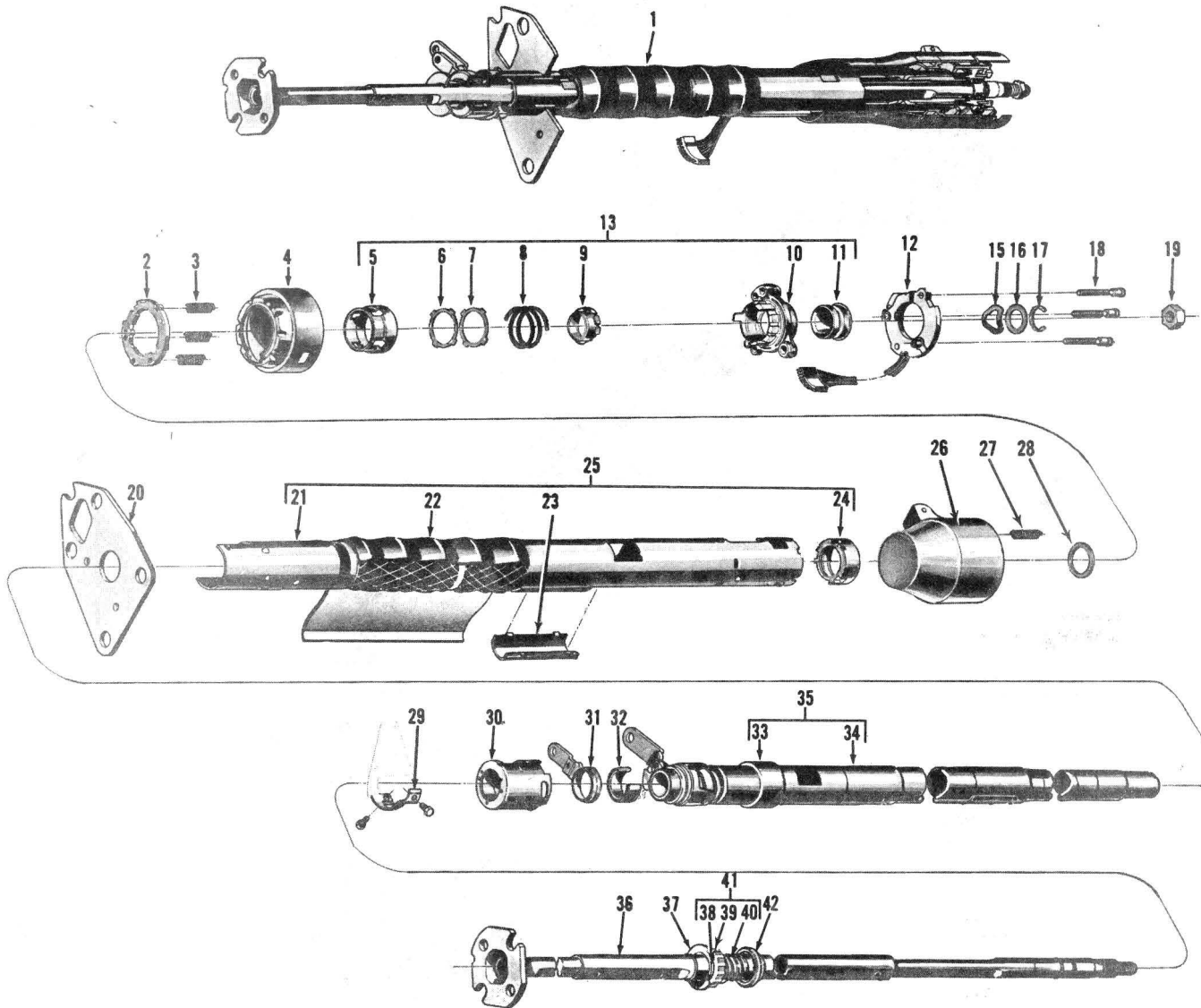


**1964-66 STEERING COLUMN — COLUMN SHIFT
(TYPICAL)**

Key	Description	Group
1	Spring, Steering Shaft Upper Bearing	6.521
2	Cam, Assy, Directional Signal Cancelling	2.896
3	Housing, Directional Signal Control Switch	2.906
4	Washer, Directional Signal Lamp Switch Spacer	2.895
5	Pin, Trans. Control Lever	4.008
6	Knob, Transmission Control Lever	4.006
7	Lever, Trans. Shift	4.006
8	Washer, Trans. Gear Shift Lever Housing Spring	4.012
9	Key	N.S.S.
10	Jacket Assy, Steering Column	6.518
11	Tube, Trans. Control Shifter	4.025
12	Sleeve, Steering Column Jacket	6.760
13	Cover, Steering Gear Jacket to Toe Pan	6.758
14	Seal, Trans. Control Shifter Tube	4.017
15	Plate, Part of #11	N.S.S.
16	Bushing, Transmission Shifter Lever	4.032
17	Lever, Part of #11	N.S.S.
18	Clamp, Steering Column Shaft Lower Bearing	6.521
19	Shaft Assy, Upper Flange and Steering	6.524
20	Retainer, Stg Shaft Lower Bearing Adapter	6.521
21	Sleeve, Part of #11	N.S.S.

Key	Description	Group
22	Spring, Part of #11	N.S.S.
23	Spring, Part of #11	N.S.S.
24	Spring Seat Part of #11	N.S.S.
25	Retainer, Direction Signal and Horn Wire Cover	2.892
26	Cover Steering Column Wiring	2.901
27	Indicator, Transmission Shift	4.020
28	Cover, Stg Column Indicator Access Hole	4.020
29	Housing, Trans Control Shifter Lever	4.010
30	Switch Assembly, Directional Signal Control	2.895
31	Lever, Turn Signal (includes knob)	2.897
32	Lever, Transmission Shifter (2nd & 3rd)	4.030
33	Lever, Transmission Shifter (1st & Reverse)	4.030
34	Bearing Assy, Steering Shaft	6.521
35	Adapter, Steering Shaft	6.521
36	Adapter Assy, '64 only—No similar part on '65	N.S.S.
37	Nut	S.S.
38	Screw #14—10 x 1	N.L.
39	Spring, Trans. Control Lever	4.008
40	Clamp	N.S.S.
41	Seal, Steering Shaft	6.519
42	Spring Seat	N.S.S.

N.L.—Not Listed S.S.—Standard Stock N.S.S.—Not Serviced Separately

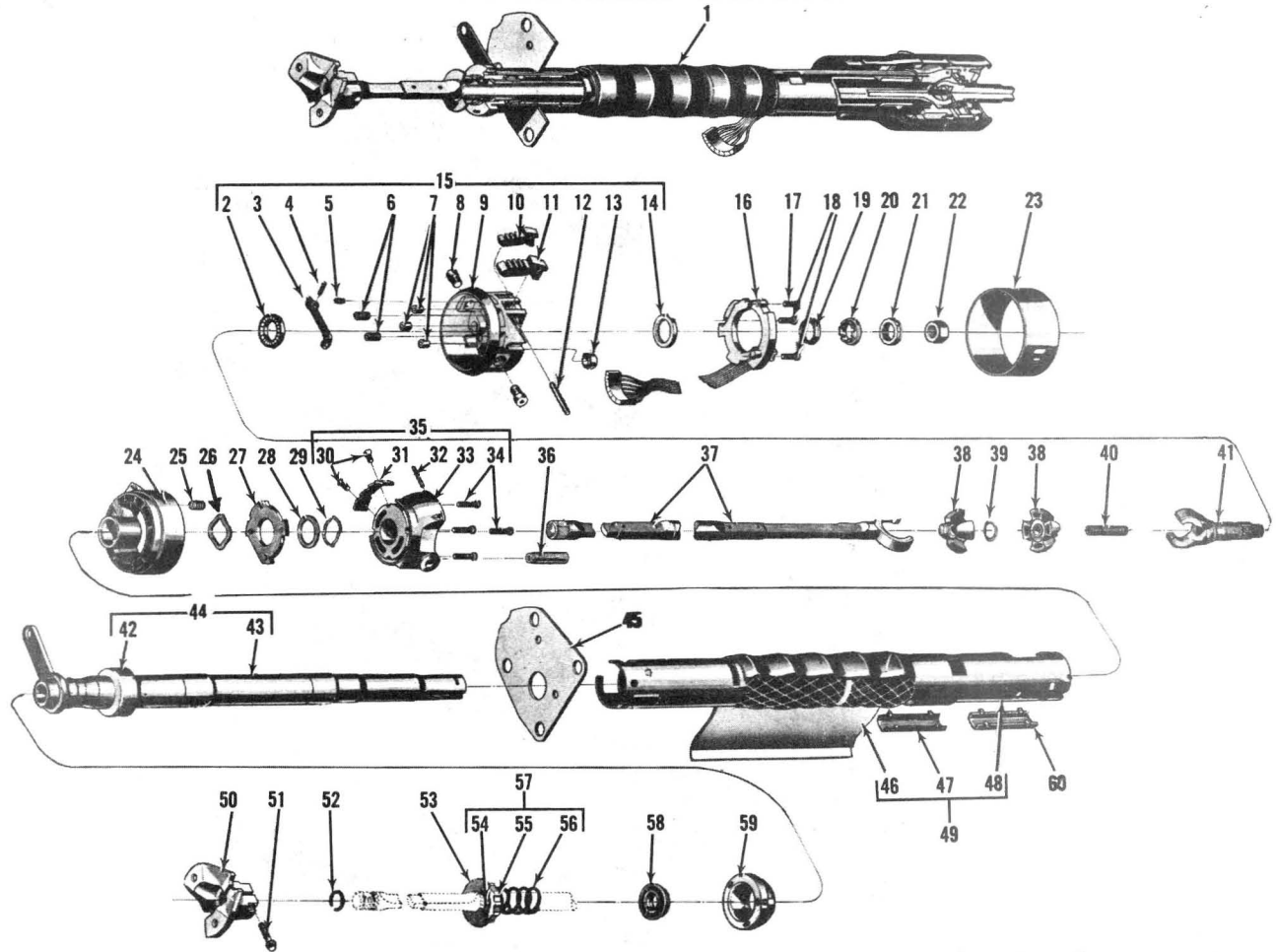


1967-48 | S.T. COLUMN SHIFT (EXC. TILT WHEEL) |

Key	Description	Qty	Group
1	Column, Steering	1	6.518
2	Plate, Turn Signal Housing Shift Tube Lock	1	4.027
3	Spring, Turn Signal Housing Cover Retaining	3	2.906
4	Cover, Steering Column Turn Signal Switch	1	2.906
5	Shell, Turn Signal Housing Thrust Spring Retainer	1	2.906
6	Washer, Turn Signal Housing Bowl Bearing	1	2.906
7	Ring	1	N.S.S.
8	Spring, Turn Signal Housing Bowl Centering	1	6.521
9	Bearing	1	N.S.S.
10	Housing	1	N.S.S.
11	Bearing	1	N.S.S.
12	Switch, Direction Signal Control	1	2.895
13	Housing, Direction Signal Control Switch	1	2.906
15	Washer, Steering Shaft Upper Wave	1	6.525
16	Washer, Steering Shaft Upper Thrust	1	6.525
17	Retainer, Gear Shift Lever Housing	1	4.012
18	Screw, Turn Signal Switch Mounting	3	2.895
19	Nut (1/2-20)	AR	S.S.
20	Seal, Steering Column Dash	1	6.758
21	Jacket Steering Gear	1	N.S.S.
22	Cover, Steering Jacket Mesh	1	6.518
23	Protector—Wire	1	6.518

Key	Description	Qty	Group
24	Bearing, Steering Column Jacket Shift Bowl Lower	1	6.521
25	Jacket Assy. Steering Column	1	6.518
26	Bowl Transmission Gear Shift	1	4.010
27	Spring, Transmission Control Lever	1	4.008
28	Washer, Bowl Spring	1	4.012
29	Plate, Steering Column Turn Signal Alignment	1	6.521
30	Adapter, Steering Shaft Lower Bearing	1	6.521
31	Lever Assy., Transmission Shifter	1	4.030
32	Spacer, Lower Shift Lever	1	4.032
33	Seal	1	N.S.S.
34	Tube	1	N.S.S.
35	Tube Assy., Transmission Control Shifter (w/seal)	1	4.025
36	Shaft, Steering Column Lower	1	6.524
37	Washer—Lower Shaft Spring Thrust	1	6.521
38	Sleeve	1	N.S.S.
39	Nut	1	N.S.S.
40	Spring, Steering Shaft Lower Bearing	1	6.521
41	Adjuster Kit, Lower Steering Shaft and Sleeve	1	6.521
42	Bearing, Steering Shaft Lower	1	6.521

N.S.S.—Not Serviced Separately
S.S.—Standard Stock

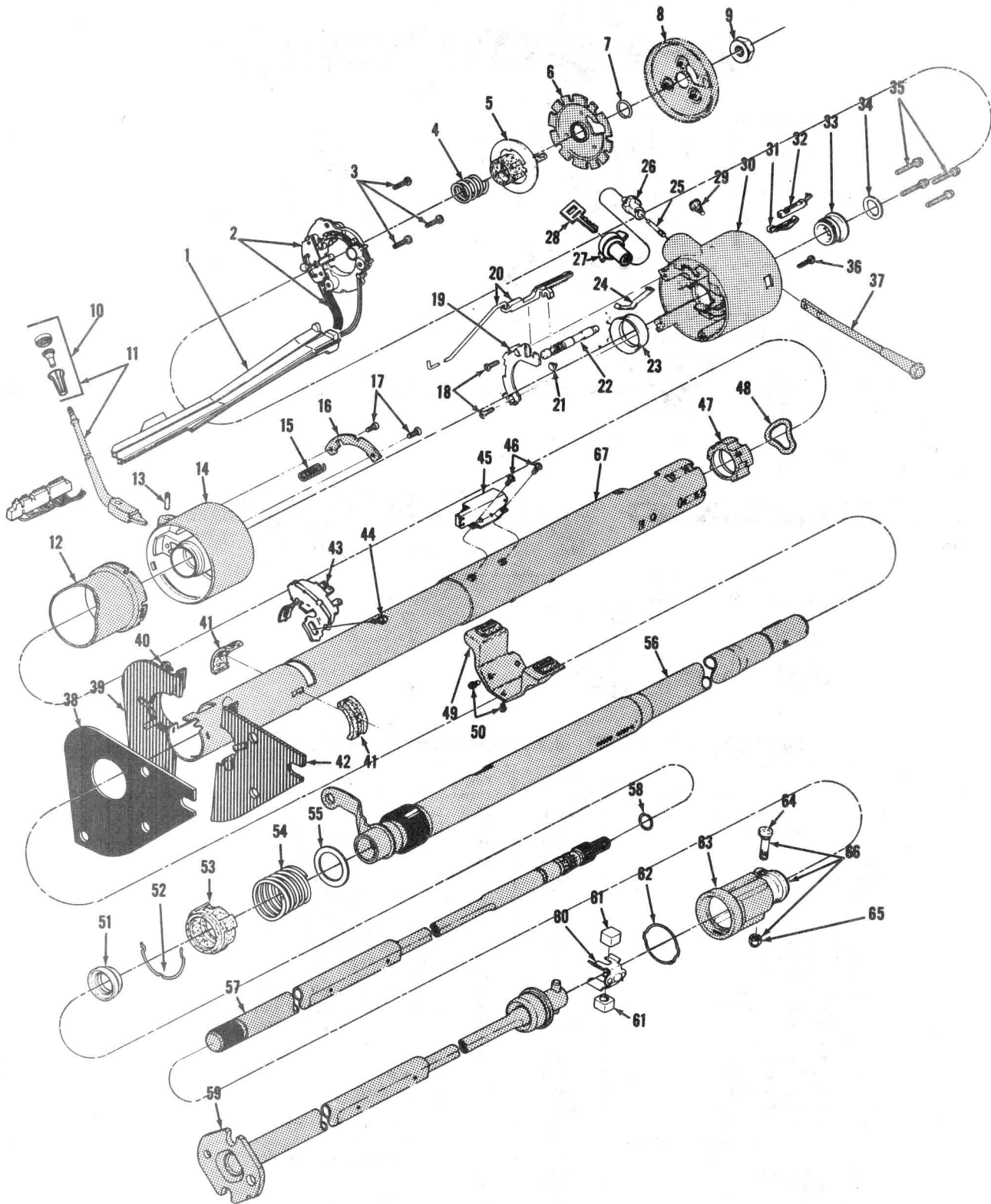


1967-68 TILT WHEEL, J.T., COLUMN SHIFT ASSY. DETAILS

Key	Description	Qty	Group
1	Column, Steering	1	6.518
2	Bearing, Steering Shaft Upper	1	6.521
3	Lever, Shoe Release	1	6.514
4	Pin, Shoe Release Lever	1	6.514
5	Spring, Shoe Release Lever	1	6.514
6	Spring, Lock Shoe	2	6.514
7	Bumper	AR	NL
8	Pin, Pivot	2	NL
9	Housing Assembly, Bearing	1	NSS
10	Shoe, Release Lock, (3 Position)	1	6.514
11	Shoe, Release Lock, (4 Position)	1	6.514
12	Pin, Actuator and Lock Shoe Dowel	1	6.514
13	Retainer, Adjustable, Steering Wheel Tilt Spring	1	6.514
14	Bearing, Steering Shaft Upper	1	6.521
15	Housing Assy., Bearing	1	6.514
16	Switch, Direction Signal Control	1	2.895
17	Screw, Turn Signal Switch Mounting	1	2.895
18	Screw, Turn Signal Switch Mounting	2	2.895
19	Race, Upper Steering Shaft Upper Bearing	1	6.521
20	Seat, Upper Steering Shaft Upper Bearing	1	6.521
21	Nut, Steering Column Upper Shaft Upper Bearing	1	6.521
22	Nut (1/2-20)	1	SS
23	Cover, Turn Signal Switch Actuator	1	2.906
24	Bowl, Transmission Gearshift Lever	1	4.010
25	Spring, Transmission Control Lever	1	4.008
26	Washer, Shift Bowl Thrust Wave	1	4.012
27	Plate and Support Assy., Adjustable Steering Wheel Lock	1	6.514
28	Washer, Gear Shift Lever Bowl Spring, Thrust	1	4.012
29	Ring, Steering Column Support Retaining	1	4.027
30	Screw	AR	NL
31	Plate, Shift Carrier Stop	1	4.027
32	Pin—Dowel	AR	NL

Key	Description	Qty	Group
33	Support	1	NSS
34	Screw, Steering Column Support	4	6.514
35	Support Assembly, Adjustable Steering Wheel	1	6.518
36	Spring, Tilt Return	1	6.514
37	Shaft Assembly—Lower	1	6.524
38	Sphere, Centering, Adjustable Shaft	2	6.514
39	Washer, Shaft Centering Sphere Wave	1	6.525
40	Spring, Steering Shaft Yoke	1	6.525
41	Shaft, Steering Column—Upper	1	6.524
42	Seal, Steering Column	1	NSS
43	Tube, Shift	1	NSS
44	Tube, Column Shift Control	1	4.025
45	Seal, Steering Column Dash	1	6.758
46	Cover, Steering Jacket Mesh	1	6.518
47	Protector, Wire	1	6.518
48	Jacket, Steering Column	1	NSS
49	Jacket Assy., Steering Column	1	6.518
50	Flange, Steering Shaft	1	6.525
51	Bolt	1	S.S.
52	Ring, Steering Shaft Spring Retaining at Lower Bearing, Snap	1	4.027
53	Washer, Lower Shaft Spring Thrust	1	6.521
54	Sleeve	1	NSS
55	Nut	1	NSS
56	Spring, Shaft Lower Bearing	1	6.521
57	Adjuster Kit, Lower Steering Shaft	1	6.521
58	Bearing, Steering Shaft Lower	1	6.521
59	Adapter, Steering Column Shift Shaft	1	6.521
60	Guide, Signal Switch and Horn Wire	1	2.906

SS—Standard Stock
NL—Not Listed
NSS—Not Serviced Separately

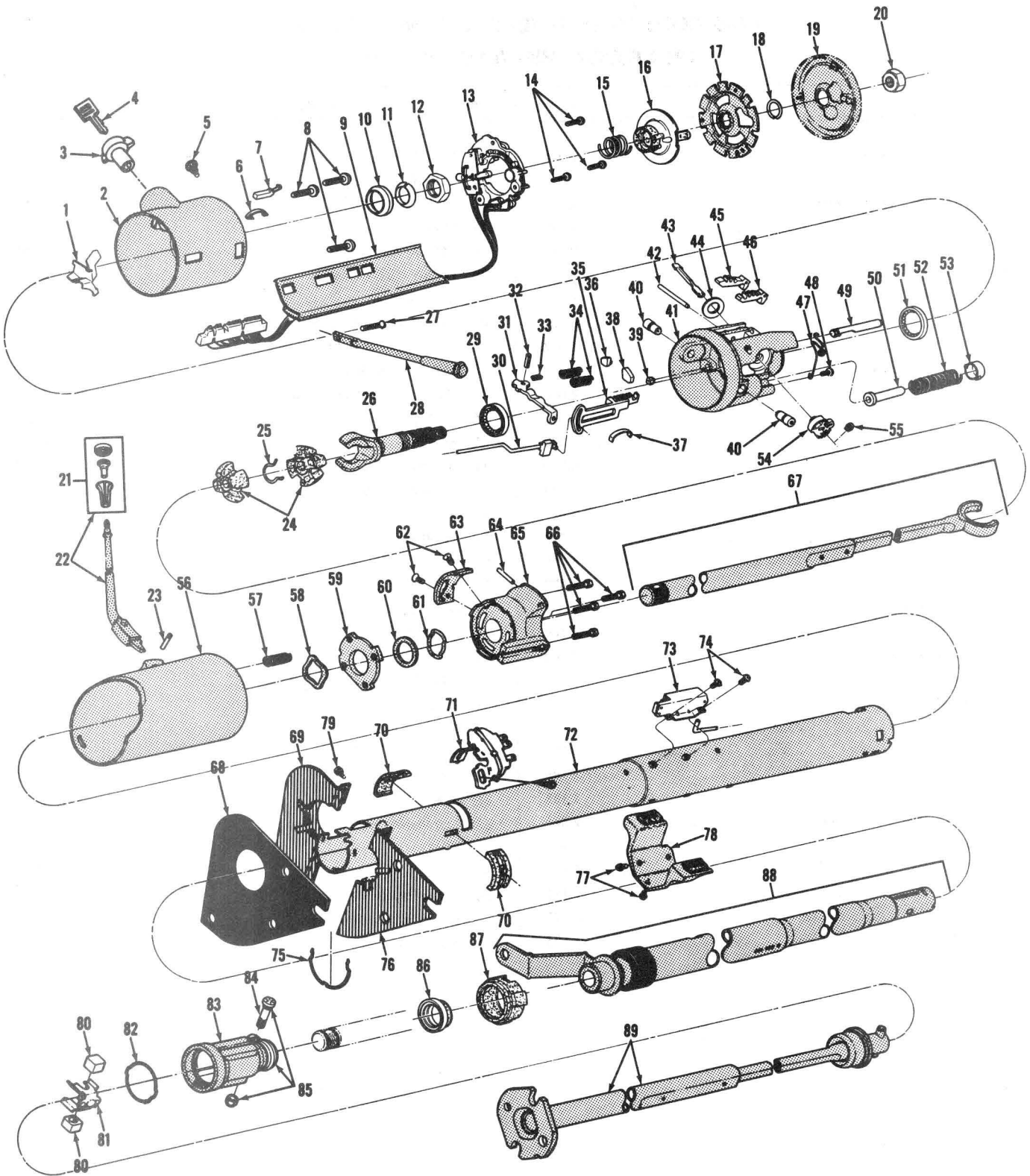


**1969 COLUMN SHIFT (EXC. TILT WHL. OR S.T.);
 1969 FLOOR SHIFT (EXC. TILT WHL.)
 (TYPICAL OF 1970 THRU 1974)**

**1969 COLUMN SHIFT (EXC. TILT WHL. OR S.T.);
1969 FLOOR SHIFT (EXC. TILT WHL.)**

Key	Description	Group
1	PROTECTOR, Wire	6.518
2	SWITCH	2.895
3	SCREW, Switch Mounting	2.895
4	SPRING	6.521
5	CAM	2.896
6	LOCK	6.500
7	RETAINER	6.521
8	COVER	6.500
9	NUT	6.524
10	KNOB PACKAGE	4.006
11	LEVER ASSEMBLY	4.006
12	SHROUD	4.010
13	PIN, Lever Pivot	4.008
14	BOWL	4.010
15	SPRING	4.008
16	PLATE	4.027
17	SCREW (2)	4.010
18	SCREW (2)	4.070
19	GATE	4.070
20	RACK ASSEMBLY	2.195
21	WASHER	6.500
22	BOLT ASSEMBLY	6.500
23	CUP	6.525
24	SPRING	6.500
25	SHAFT	2.195
26	SECTOR	2.195
27	LOCK CYLINDER	2.188
28	KEY	2.187
29	KNOB, Hazard Warning	2.575
30	HOUSING	2.906
31	CLIP	2.195
32	SWITCH	2.195
33	BEARING	6.521
34	WASHER	6.525

Key	Description	Group
35	SCREW (4)	8.977
36	SCREW	8.977
37	LEVER ASSEMBLY	2.897
38	SEAL, Dash	6.758
39	COVER ASSEMBLY, Inner	6.758
40	SCREW (1/4"-14 x 3/4")	8.977
41	GROMMET (2)	2.698
42	COVER ASSEMBLY, Outer	6.758
43	SWITCH ASSEMBLY	4.054
44	SCREW (#8-18 x 1/4")	8.977
45	SWITCH ASSEMBLY, Ignition	2.189
46	SCREW (2)	N.L.
47	BEARING	6.521
48	WASHER	6.525
49	BRACKET ASSEMBLY	6.760
50	BOLT (4)	8.900
51	BEARING	6.521
52	CLIP	6.521
53	ADAPTER	6.521
54	SPRING	4.027
55	WASHER	4.027
56	TUBE ASSEMBLY	4.025
57	SHAFT, Upper	6.524
58	RING	6.525
59*	SHAFT, Lower	6.524
60*	SPRING	6.525
61*	BEARING (2)	6.525
62*	RING	6.525
63*	COUPLING ASSEMBLY	6.525
64	BOLT	N.L.
65	NUT	6.525
66	CLAMP PACKAGE	6.525
	* SHAFT ASSEMBLY	6.524
67	JACKET ASSEMBLY	6.518



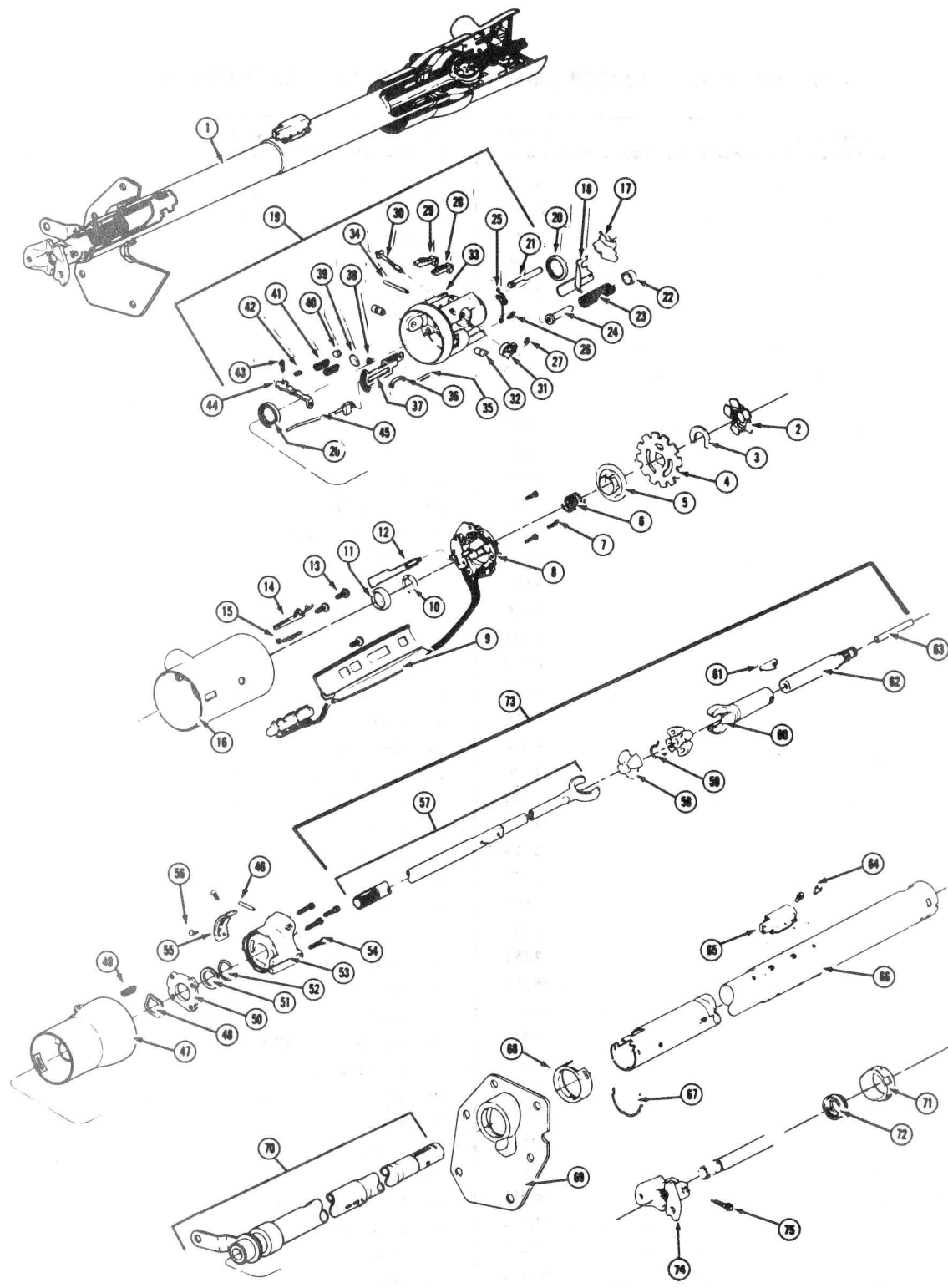
1969 TILT WHEEL w/COLUMN SHIFT
(TYPICAL OF 1970 THRU 1974)

1969 TILT WHEEL W/COLUMN SHIFT (TYPICAL OF 1970-74)

Key	Description	Group
1	SHIELD	6.514
2	HOUSING	2.906
3	CYLINDER, Lock	2.188
4	KEY, Ignition	2.187
5	KNOB	2.575
6	CLIP	2.195
7	SWITCH	2.195
8	SCREW	8.977
9	PROTECTOR	6.518
10	RACE	6.521
11	SEAT	6.521
12	NUT	6.521
13	SWITCH	2.895
14	SCREW	2.895
15	SPRING	2.896
16	CAM	2.896
17	LOCK	6.500
18	RETAINER	6.521
19	COVER	6.500
20	NUT	6.521
21	KNOB PACKAGE	4.006
22	LEVER (Complete)	4.006
23	PIN	4.008
24	SPHERE	#6.525
25	SPRING	#6.525
26	SHAFT	#6.524
27	SCREW	8.977
28	LEVER	2.897
29	BEARING	*6.521
30	ACTUATOR	* 2.895
31	LEVER	*6.514
32	PIN	*6.514
33	SPRING	*6.514
34	SPRING	*6.514
35	RACK	*6.500
36	BUMPER	*6.515
37	SPRING	*6.500
38	BUMPER	*6.515
39	BUMPER	*6.515
40	PIN, Pivot	*6.514
41	HOUSING	*N.S.S.
42	PIN, Dowel	*6.514
43	SHAFT	*2.195
44	WASHER, Shear	*2.195
45	SHOE (3 Groove)	*6.514
46	SHOE (4 Groove)	*6.514

Key	Description	Group
47	SPRING	*6.500
48	SCREW	*6.500
49	BOLT	*6.500
50	GUIDE	*6.514
51	BEARING	*6.521
52	SPRING	6.514
53	RETAINER	6.514
54	SECTOR	2.195
55	RING	2.195
56	BOWL	4.010
57	SPRING	4.008
58	WASHER, Wave	6.525
59	PLATE, Lock	4.027
60	WASHER, Thrust	6.525
61	RING	4.027
62	SCREW	4.027
63	PLATE	4.027
64	PIN	N.S.S.
65	SUPPORT	6.514
66	SCREW	6.514
67	SHAFT	#6.524
68	SEAL, Dash	6.758
69	COVER, Inner	6.758
70	GROMMET	2.698
71	SWITCH	2.698
72	JACKET	6.518
73	SWITCH	2.189
74	SCREW	N.L.
75	CLIP	6.521
76	COVER, Outer	6.758
77	BOLT ($\frac{5}{16}$ "-18 x $\frac{3}{16}$)	8.900
78	BRACKET	6.760
79	SCREW (Hex. $\frac{1}{4}$ "-14 x $\frac{3}{4}$ ")	8.977
80	BEARING (2)	6.525
81	SPRING	6.525
82	RING	6.525
83	COUPLING	6.525
84	BOLT	N.L.
85	CLAMP PACKAGE	6.525
86	BEARING	6.521
87	ADAPTER	6.521
88	TUBE	4.025
89	SHAFT	6.524

* — Housing Assembly 6.518
— Shaft Assembly 6.524

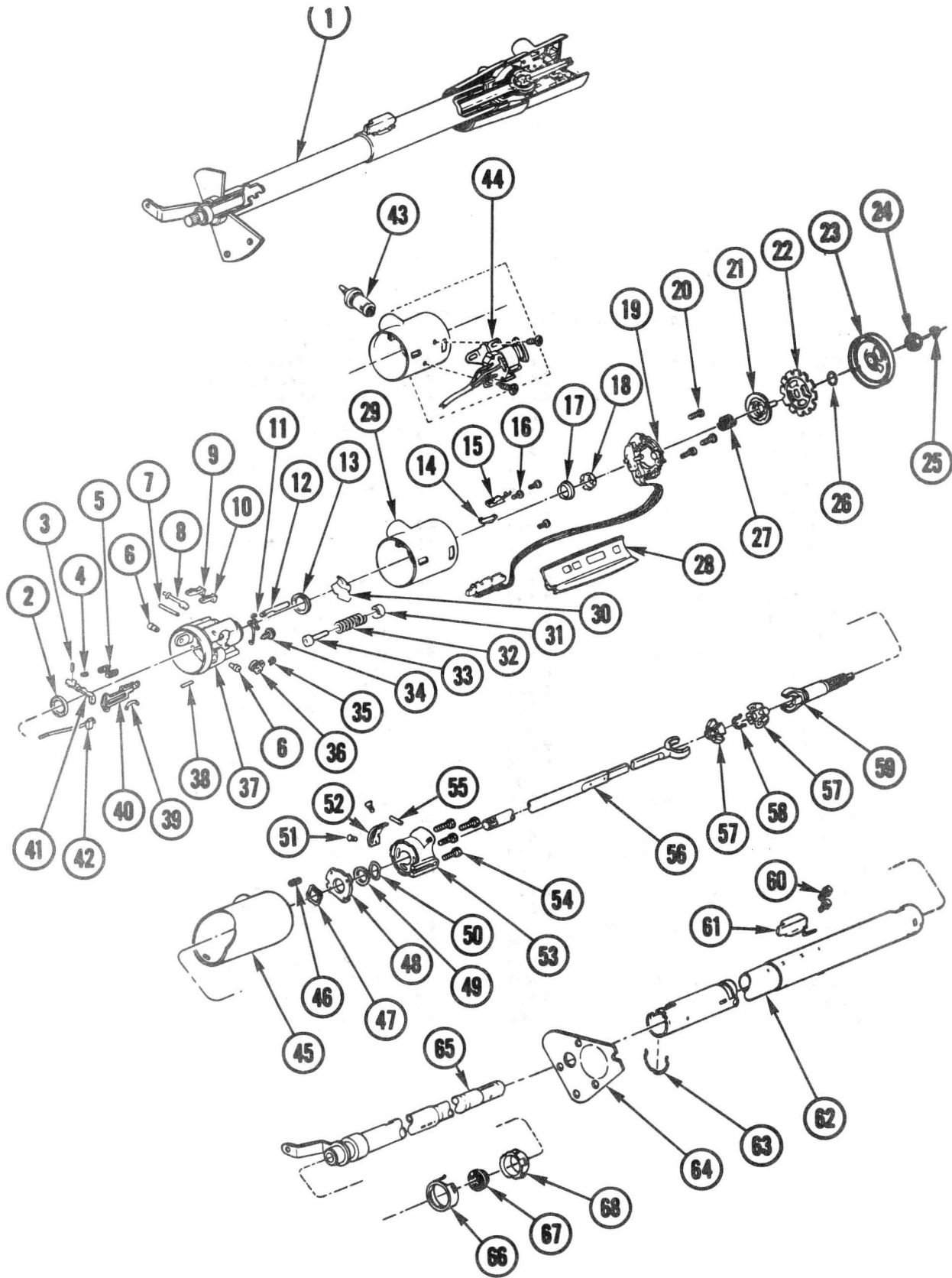


1976 TILT & TELESCOPE STEERING COLUMN



1976 TILT & TELESCOPE STEERING COLUMN

1. COLUMN, Strg.	6.518	38. BUMPER, Down	6.515
2. RETAINER, Carrier Snap Ring	2.819	39. BUMPER, Bearing Housing	6.515
3. RING, Retaining	2.819	40. BUMPER, Bearing Housing	6.515
4. LOCK, Steering Shaft	6.500	41. SPRING, Shoe	6.514
5. CARRIER, Steering Wheel	2.819	42. SPRING, Release Lever	6.514
6. SPRING, Upper Bearing	6.521	43. PIN, Release Lever	6.514
7. SCREW, Binding and Cross Recess	2.895	44. LEVER, Shoe Release	6.514
8. SWITCH, Turn Signal	2.895	45. ACTUATOR, Ignition Switch	2.195
9. PROTECTOR, Wiring	2.906	46. PIN (Not Serviced Separately-Part of No. 53)	N.S.
10. SEAT, Inner Race	6.521	47. BOWL, Gear Shift Lever	4.010
11. RACE, Inner	6.521	48. WASHER, Shaft Wave	4.012
12. LEVER, Hazard Switch	2.575	49. SPRING, Shift Lever	4.008
13. SCREW, Oval Head Cross Recess	N.S.	50. PLATE, Lock	6.514
14. SWITCH, Buzzer	2.195	51. WASHER, Shaft Thrust	4.012
15. CLIP, Buzzer Switch Retaining	2.195	52. RING, Shift Tube Retaining	4.027
16. COVER, Lock Housing (Painted)	2.906	53. SUPPORT, Strg. Column Housing	6.514
17. SHIELD, Lever Opening	2.906	54. SCREW, Support	6.514
18. SHIELD, Tilt Lever Opening	6.514	55. GATE, Shift Lever	4.027
19. HOUSING, Steering Column	6.514	56. SCREW, Stop Plate & Detent Plate	4.012
20. BEARING, Shaft-Upper	6.521	57. SHAFT, Lower Steering	6.524
21. BOLT, Lock	6.500	58. SPHERE, Centering	6.514
22. RETAINER, Spring	6.514	59. SPRING, Joint Preload	6.514
23. SPRING, Wheel Tilt	6.514	60. YOKE, Race and Steering Shaft	6.524
24. GUIDE, Spring	6.514	61. WEDGE, Locking	6.514
25. SPRING, Lock Bolt	6.500	62. SHAFT, Upper Steering	6.524
26. SCREW, Lock Bolt Spring to Housing	6.500	63. ROD, Telescope Locking	6.514
27. RING, Retaining	2.195	64. SCREW, Switch (No. 10—24 x 25)	2.188
28. SHOE, Steering Wheel Lock (4-Pos.)	6.514	65. SWITCH, Ignition	2.188
29. SHOE, Steering Wheel Lock (3-Pos.)	6.514	66. JACKET, Steering Column	6.518
30. SHAFT, Drive	2.195	67. CLIP, Lower Bearing Adapter	6.521
31. SECTOR, Switch Actuator	2.195	68. RETAINER, Bearing Adapter	6.521
32. PIN, Pivot	6.514	69. SEAL, Dash	6.758
33. HOUSING (Not Serviced Separately-Part of No. 19)	N.S.	70. TUBE, Shift	4.025
34. PIN, Dowel	6.514	71. ADAPTER, Lower Bearing	6.521
35. SHIM (Not Serviced Separately)	N.S.	72. BEARING, Shaft-Lower	6.521
36. SPRING, Rack Preload	2.195	73. SHAFT, Steering	6.524
37. RACK, Switch Actuator	2.195	74. FLANGE, Steering Shaft	6.525
		75. BOLT, 12 Point	6.525

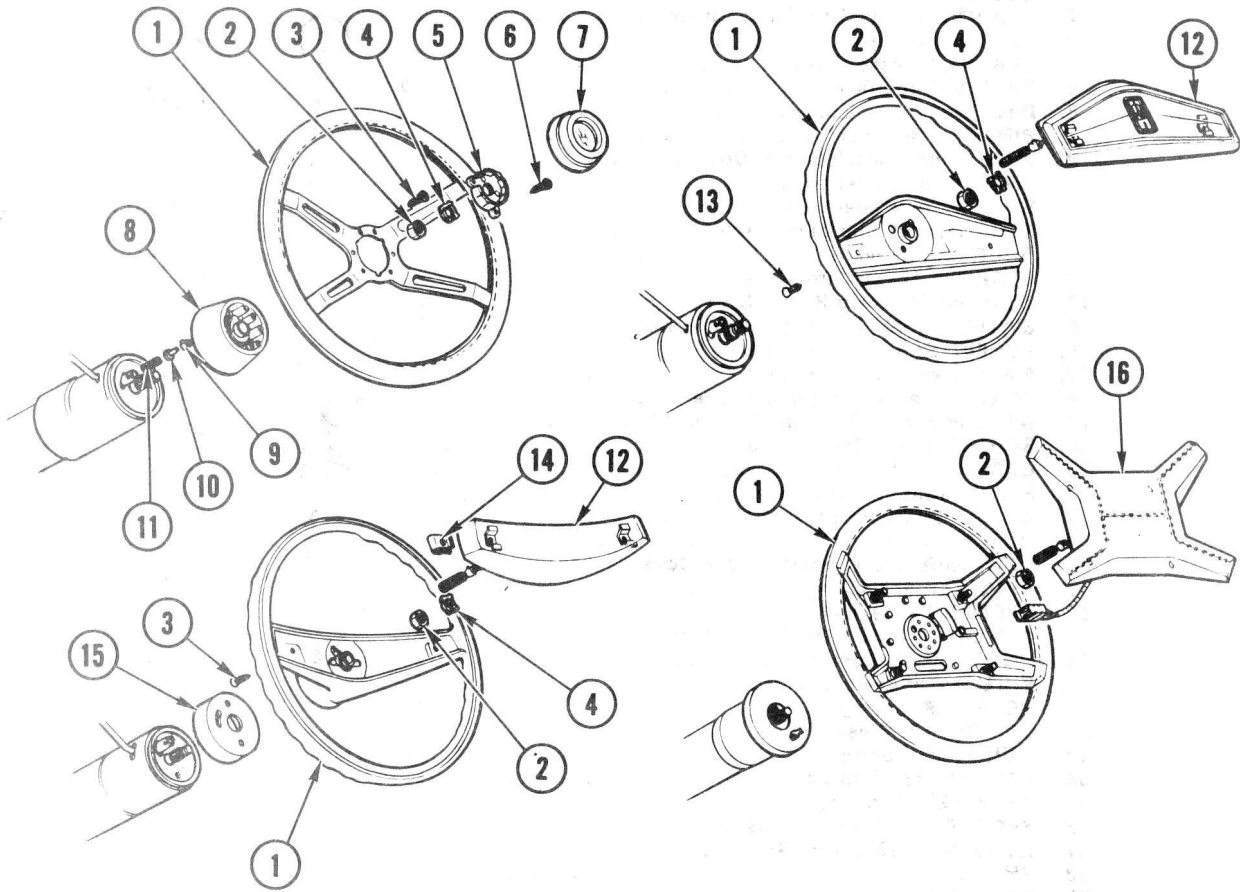


1976 TILT WHEEL STEERING COLUMN



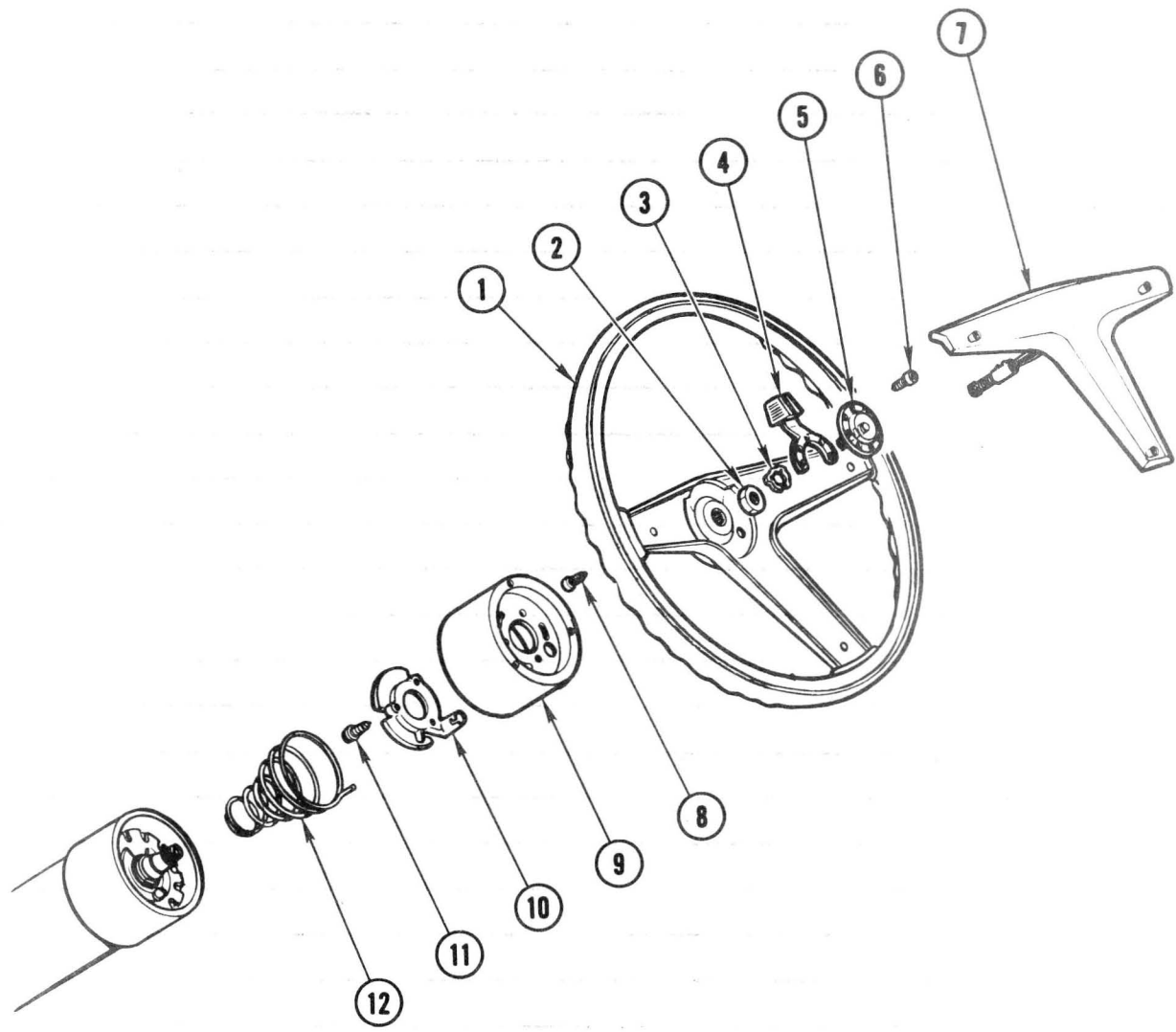
1976 TILT WHEEL STEERING COLUMN

1. COLUMN ASM., Steering	6.518
2. BEARING ASM., Strg. Shaft Upper	6.521
3. PIN, Release Lever	6.514
4. SPRING, Release Lever	6.514
5. SPRING, Shoe Release	6.514
6. PIN, Pivot	6.514
7. PIN, Shoe Retainer	6.514
8. SHAFT, Ign. Switch Sector Door	2.195
9. SHOE, Strg. Wheel Lock	6.514
10. SHOE, Strg. Wheel Lock	6.514
11. SPRING, Strg. Shaft Lock Bolt	6.500
12. BOLT, Shaft Lock	6.500
13. BEARING, Upper Strg. Shaft	6.521
14. CLIP, Ign. Warning Buzzer Switch	2.195
15. SWITCH ASM., Ign. Key Warning Buzzer	2.195
16. SCREW, Strg. Column Housing	N.S.
17. RACE, Lower Bearing Inner	6.521
18. SEAT, Upper Bearing Inner Race	6.521
19. SWITCH ASM., Dir. Signal & Hazard	2.895
20. SCREW, Signal Switch Mtg.	2.895
21. CAM ASM., Turn Signal Cancel	2.896
22. PLATE ASM., Shaft Lock	6.500
23. COVER, Shaft Lock Plate	6.500
24. NUT, Hex Jam	6.515
25. RETAINER, Upper Shaft & Lock Cover	6.521
26. RING, Carrier Locking	2.819
27. SPRING, Cancel Cam	2.896
28. COVER, Signal Switch & Horn Wire	2.906
29. COVER ASM., Lock Housing	2.906
30. SHIELD, Tilt Lever Opening	6.514
31. RETAINER, Spring	6.514
32. SPRING, Tilt Wheel	6.514
33. GUIDE, Tilt Spring	6.514
34. SCREW, Lock Bolt Spring	6.500
35. RETAINER, Actuator Sector	2.195
36. SECTOR, Ign. Switch Actuator	2.195
37. HOUSING ASM., Strg. Shaft Bearing	6.514
38. SHIM	N.S.
39. SPRING, Rack Preload	2.195
40. RACK, Ign. Switch Actuator	2.195
41. LEVER, Shoe Release	6.514
42. ROD, Ign. Switch Actuator	2.195
43. CYLINDER, Ignition Lock	2.188
44. SWITCH ASM., Dimmer	2.459
45. BOWL, Trans. Shift Lever	4.010
46. SPRING, Shift Lever	4.010
47. WASHER, Wave	4.012
48. PLATE, Strg. Column Lock	6.514
49. WASHER, Bowl Thrust	4.012
50. RING, Retainer	4.027
51. SCREW, Support Gate	4.027
52. GATE, Shift Lever	4.027
53. SUPPORT, Turn Signal Housing	6.514
54. SCREW, Support	6.514
55. PIN, Dowel	6.514
56. SHAFT ASM., Steering Lower	6.524
57. SPHERE, Shaft Centering	6.514
58. SPRING, Joint Preload	6.514
59. SHAFT ASM., Steering Upper	6.524
60. SCREW, Ign. Switch	N.S.
61. SWITCH ASM., Ignition	2.188
62. JACKET ASM., Steering Column	6.518
63. CLIP, Lower Bearing Adapter	6.521
64. SEAL, Dash Bracket	6.758
65. TUBE ASM., Reaction & Shift	4.025
66. RETAINER, Bearing Adapter	6.521
67. BEARING, Strg. Shaft Lower	6.525
68. ADAPTER, Lower Bearing	6.521



1976 STEERING WHEEL AND HORN PARTS

1. WHEEL, Steering	6.513
2. NUT, Strg. Whl. Mtg.	N.S.
3. SCREW (#8-32 x 5/8")	8.977
4. RETAINER, Strg. Whl. Nut	6.515
5. CONTACT, Horn Blowing	2.819
6. SCREW (#10-24 x 1/2")	8.977
7. CAP, Horn Button	2.820
8. HUB, Strg. Whl.	6.513
9. INSULATOR, Horn Contact	2.819
10. EYELET, Contact	2.819
11. SPRING, Horn Contact	2.819
12. PAD, Strg. Whl.	6.512
13. SCREW (#8-18 x 5/8")	8.977
14. NUT, "U" Shape Spring (1/32")	9.743
15. COVER, Strg. Col.	6.500
16. MODULE & PAD, Strg. Whl.	6.512



1976 STEERING WHEEL AND HORN PARTS (TILT & TELESCOPE)

1. WHEEL, Steering	6.513
2. NUT, Strg. Whl.	N.S.
3. RETAINER, Strg. Whl. Nut	6.515
4. LEVER, Strg. Whl. Locking	6.514
5. PLATE, Strg. Shaft Lock	6.521
6. SCREW (#8-32 x 1/4")	8.977
7. PAD, Strg. Whl.	6.512
8. SCREW (#8-18 x 5/8")	8.977
9. COVER, Strg. Col. Up.	6.518
10. SUPPORT, Horn Contact	2.819
11. SCREW (#8-32 x 5/8")	8.977
12. SPRING, Horn Contact	2.819



NOTES

A series of horizontal lines for taking notes, spanning the width of the page below the header.

GROUP 7.000

FRAME—SPRINGS

BUMPER

ILLUSTRATION	PAGE
REAR SUSPENSION	1 - 5
SUPER LIFT SHOCK ABSORBER DETAILS	6 - 7
FRONT AND REAR BUMPERS	8 - 27
SPRING CHARTS	1 - 12
